



☐ ETOILE

**QUADRA<sup>®</sup> S**

---

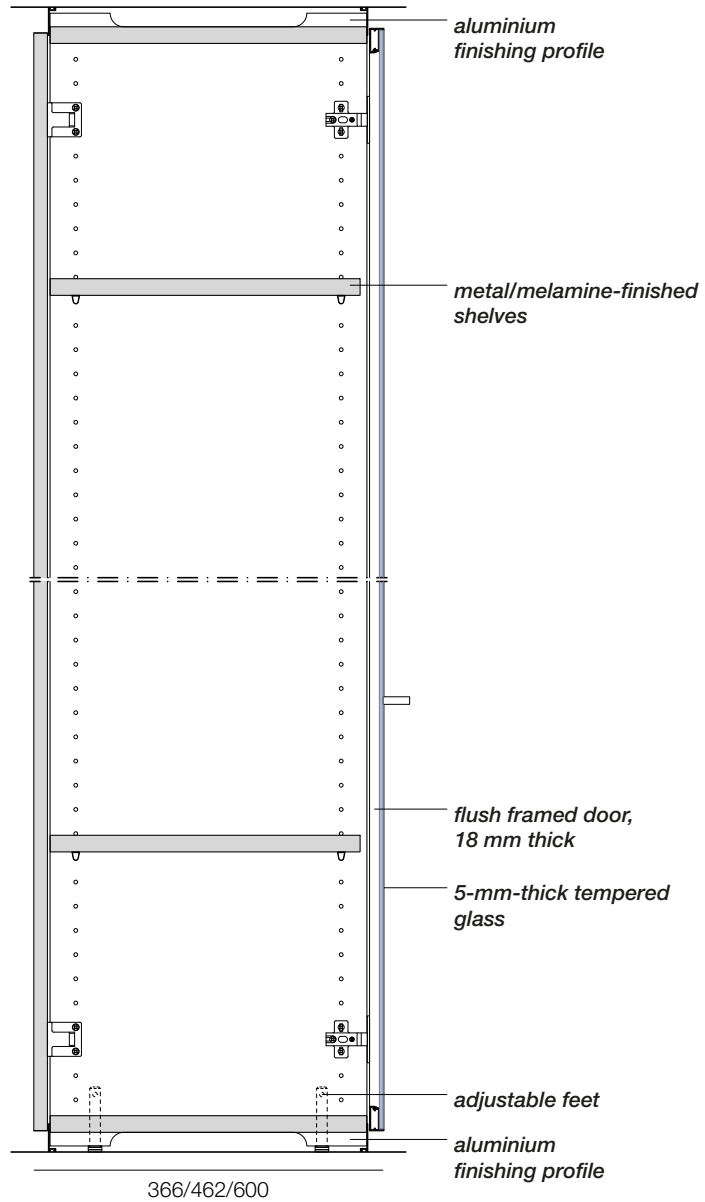




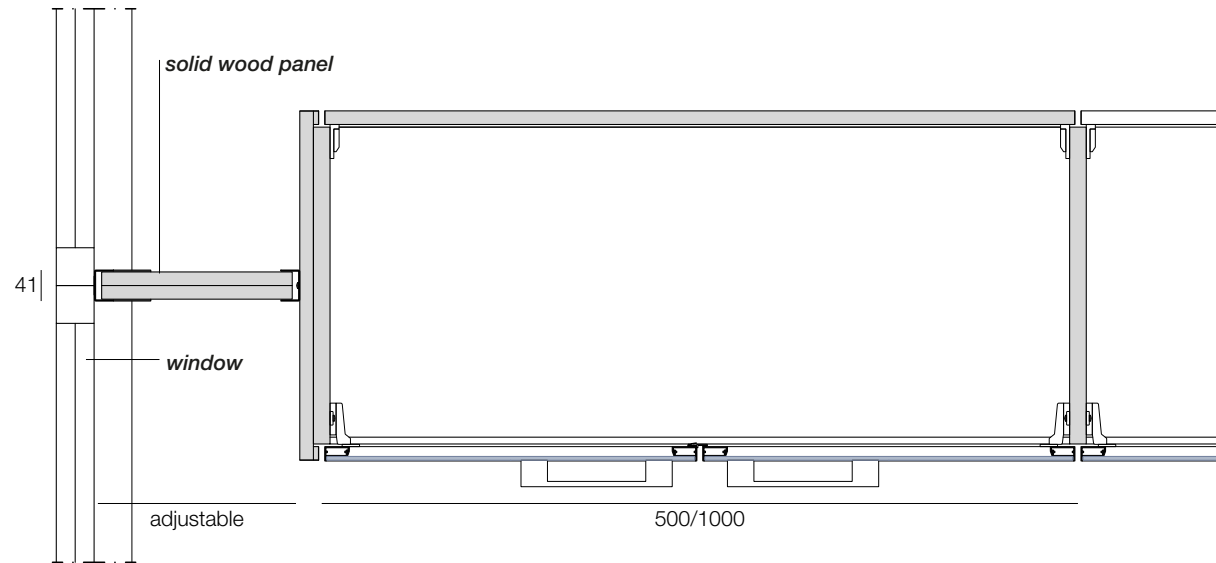
- 01.** 3 depths - 600, 462 and 366 mm
- 02.** 2 widths - 500 and 1000 mm
- 03.** Supporting frame in melamine-finished panels, 22 mm thick
- 04.** Back and side panels: melamine-finished, veneered or lacquered - 18 mm thick
- 05.** Flush glass doors -19 mm thick
- 06.** Aluminium top and bottom finishing profile
- 07.** Cable management in the base section
- 08.** Melamine-finished or metal internal shelves
- 09.** Hanger bars
- 10.** Drawers with pull-out file-holders
- 11.** Full-height doors and open shelves
- 12.** Rack profile or 32-mm-pitch holes to allow adjustable shelf positioning
- 13.** Storage units that can be integrated into partition walls



# Wall-end uprights

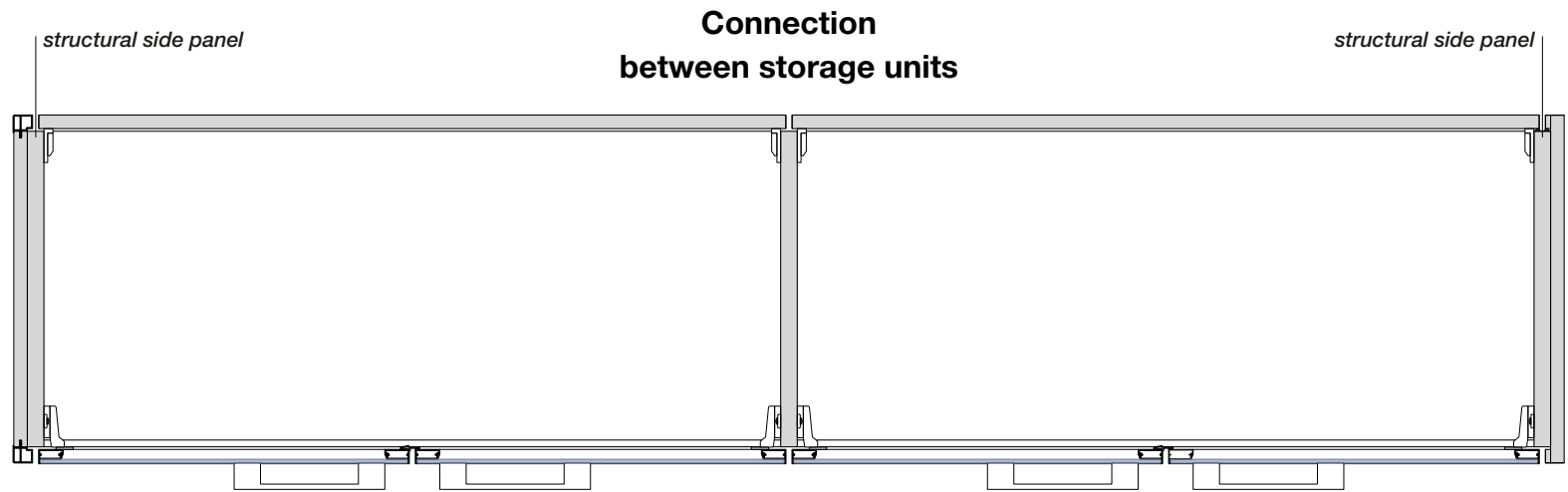


**Wall-end upright with filler panel**



**Wall-end upright**

# Wall-end uprights



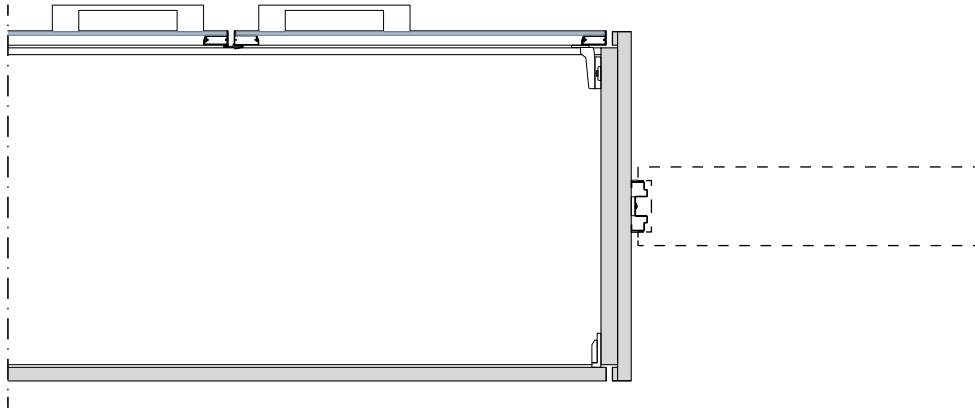
**Wooden end-side panel  
with aluminium profiles**

**Wooden end-side panel**

# Linear junctions

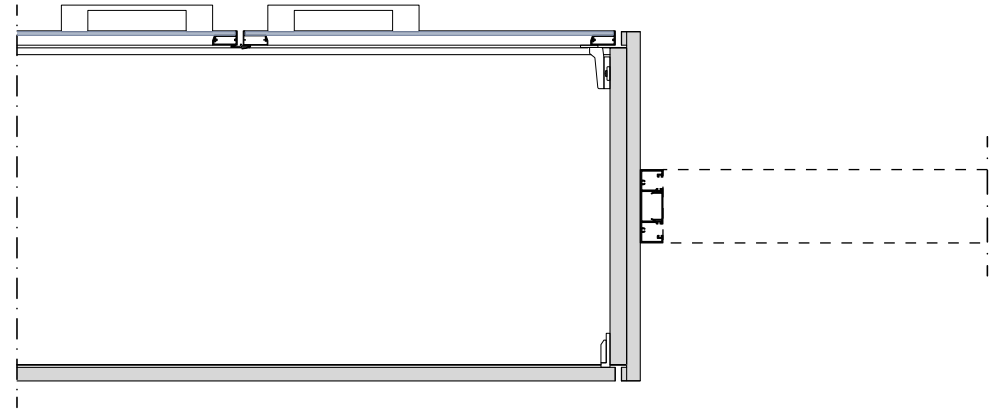


*\*connections that fit  
all Metrica structural and Metrica D partitions*

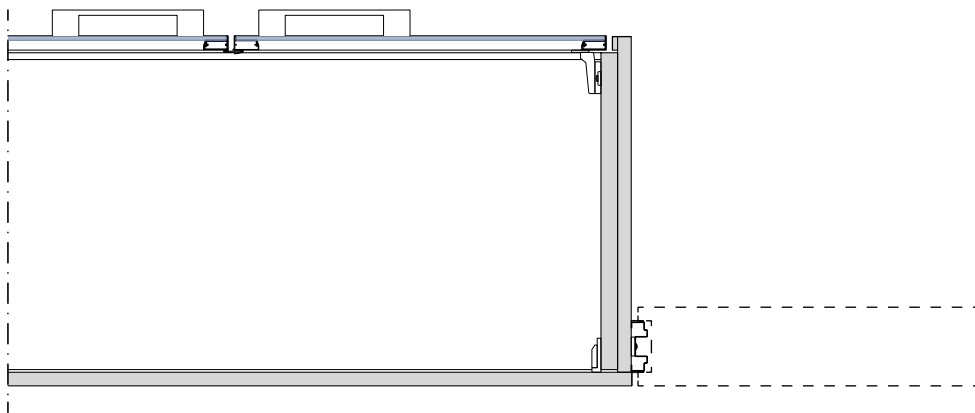


**Central junction with metrica**

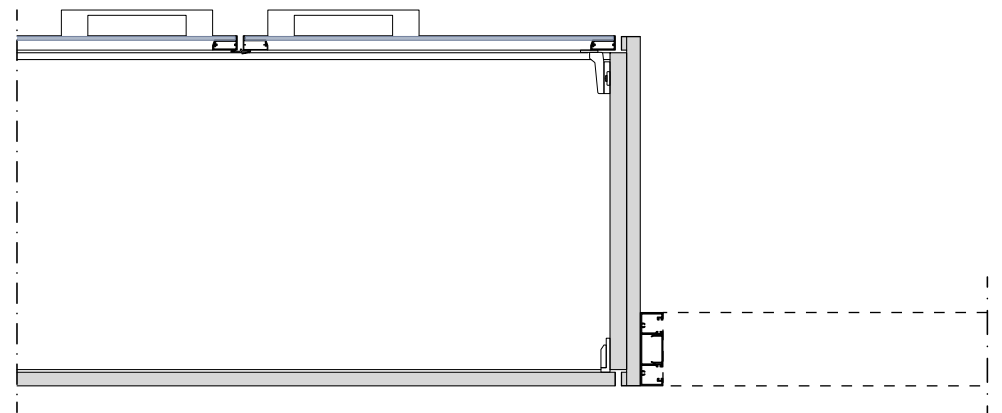
*\*connections that fit  
all Metrica F partitions*



**Central junction with metrica f**



**Straight junction with metrica**



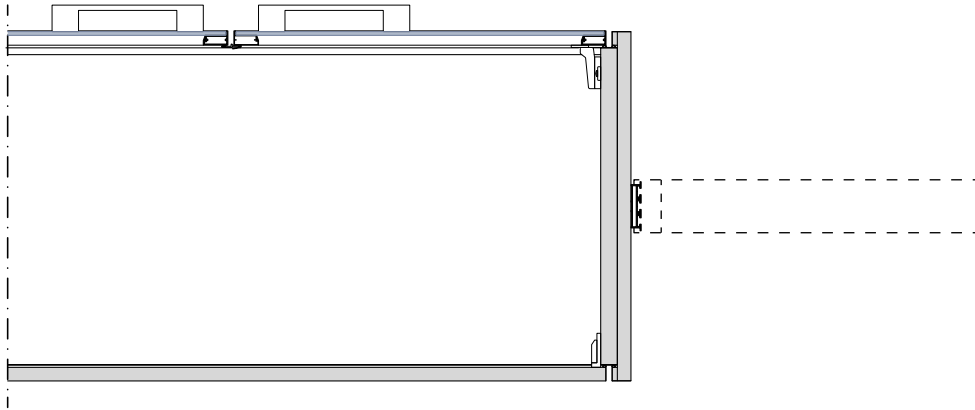
**Straight junction with metrica f**



# Linear junctions

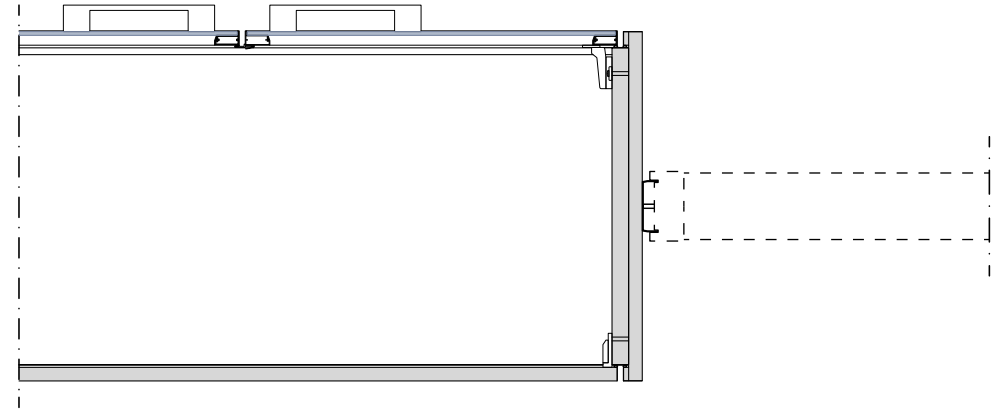


*\*connections that fit  
all Ritmica partitions*

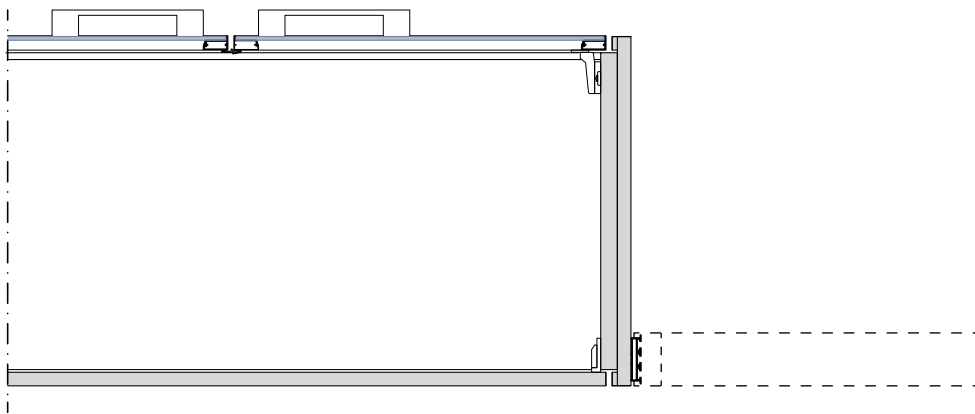


**Central junction with ritmica**

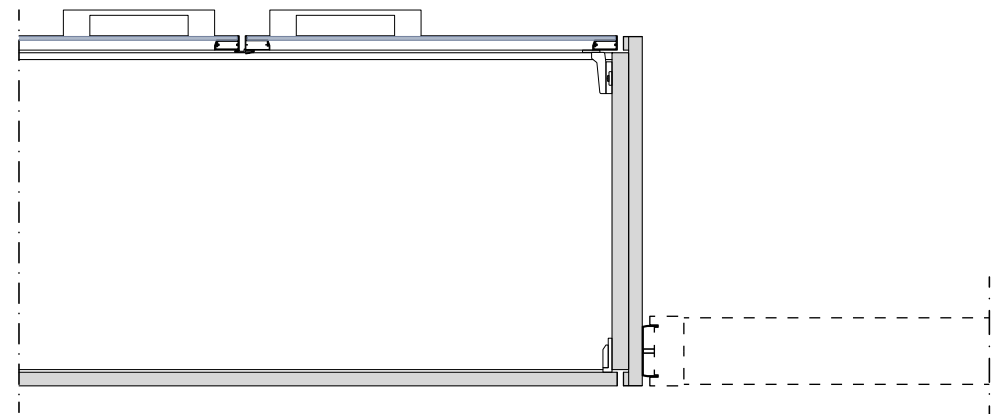
*\*connections that fit  
all Ritmica wood partitions*



**Central junction with ritmica wood**



**Straight junction with ritmica**

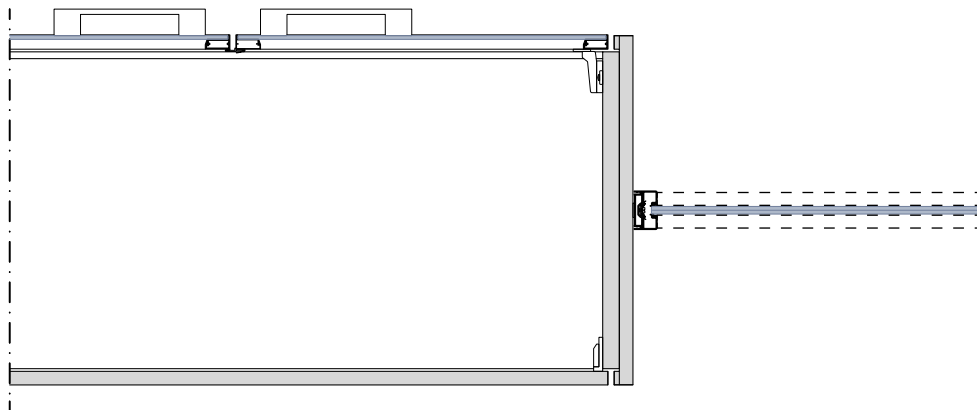


**Straight junction with ritmica wood**

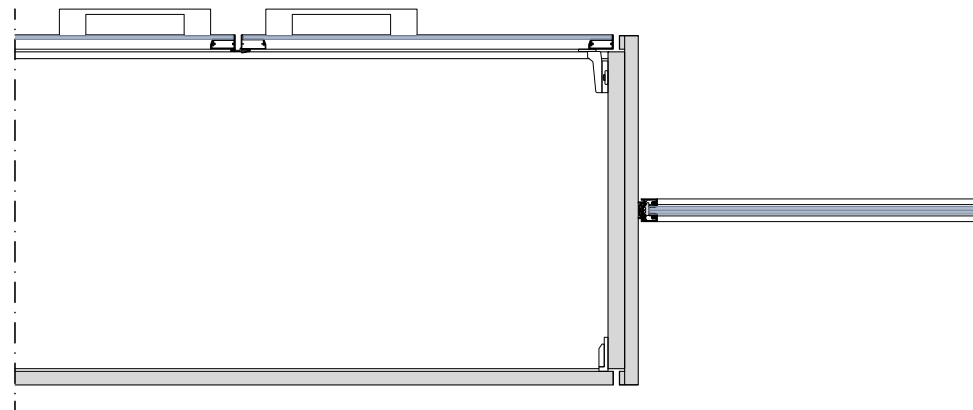
# Linear junctions



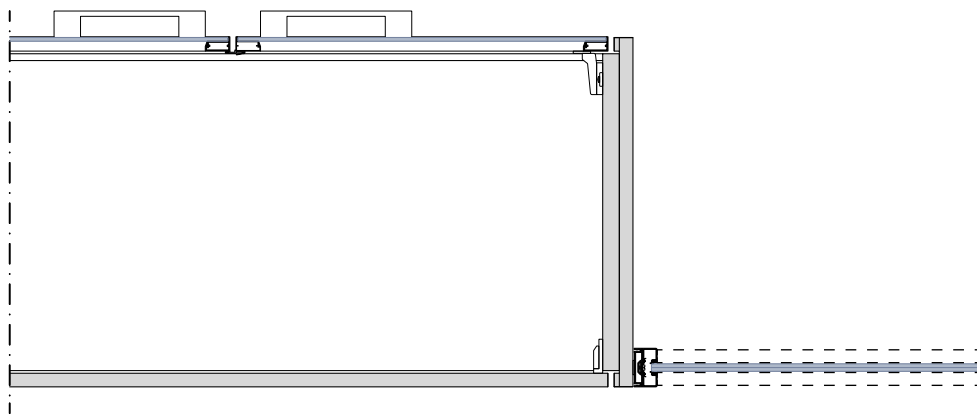
*\*connections that fit  
all Unica single-glass partitions*



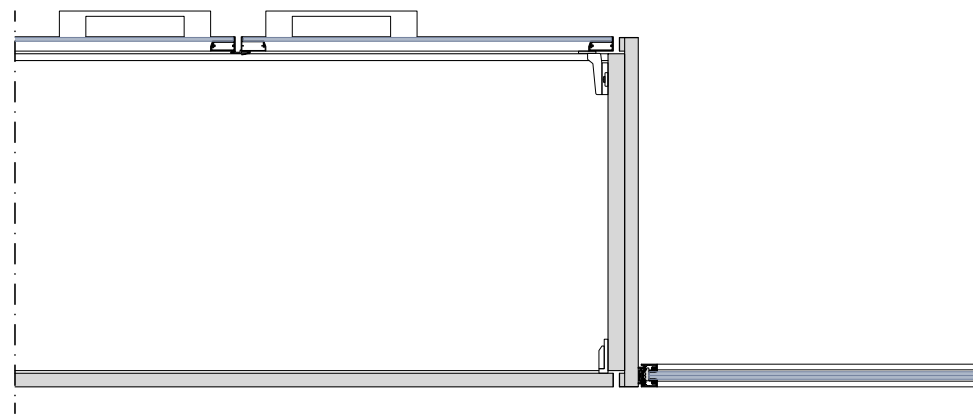
**Central junction with unica**



**Central junction with unica slim**

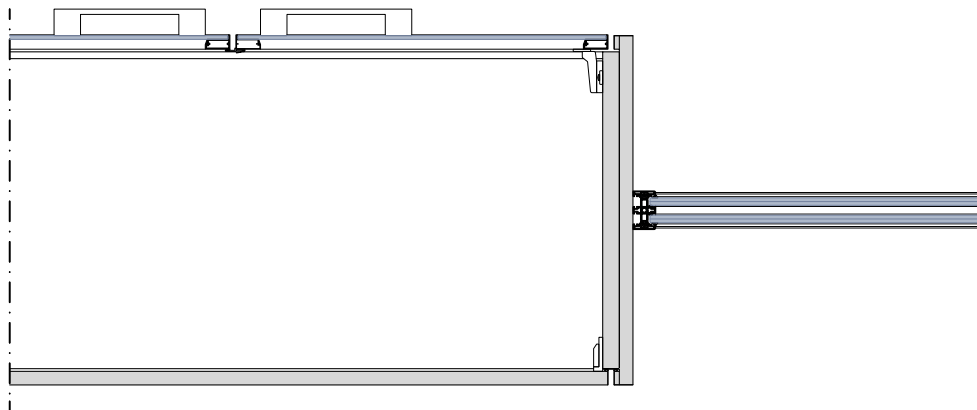


**Straight junction with unica**

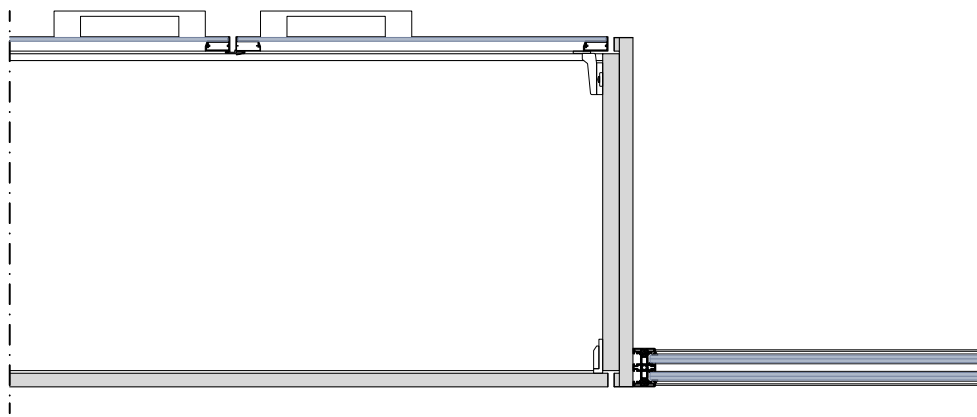


**Straight junction with unica slim**

# Linear junctions



Central junction with unica d

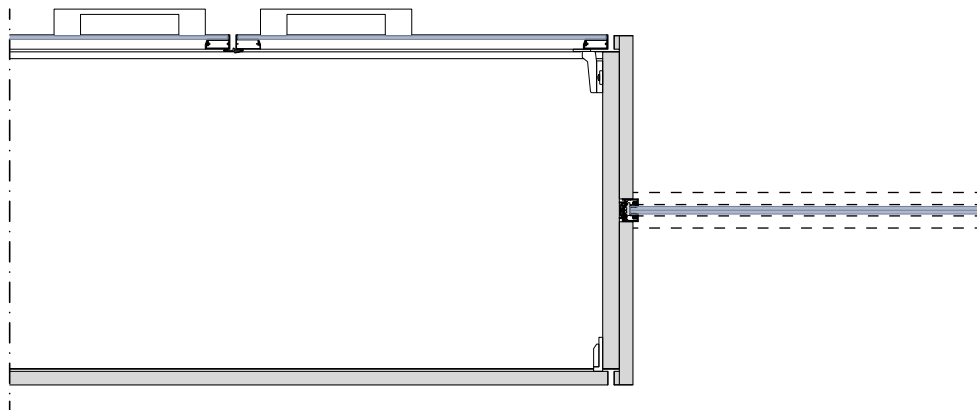


Straight junction with unica d

# Linear junctions

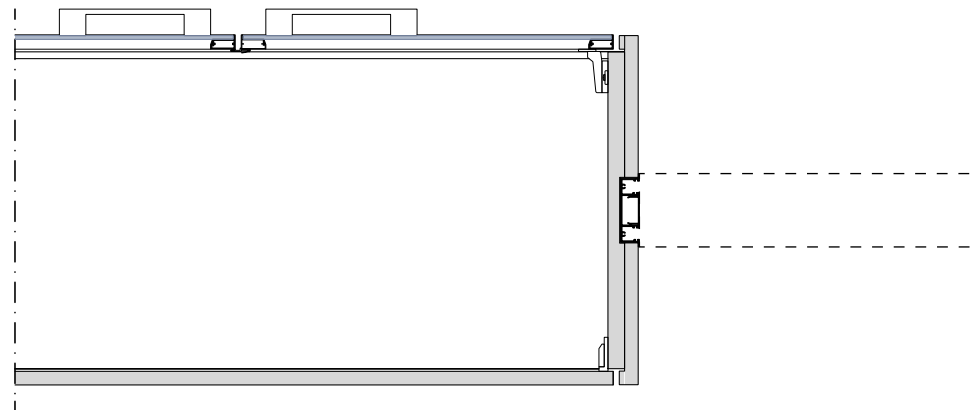


*\*connection that fits  
all Unica single-glass partitions*

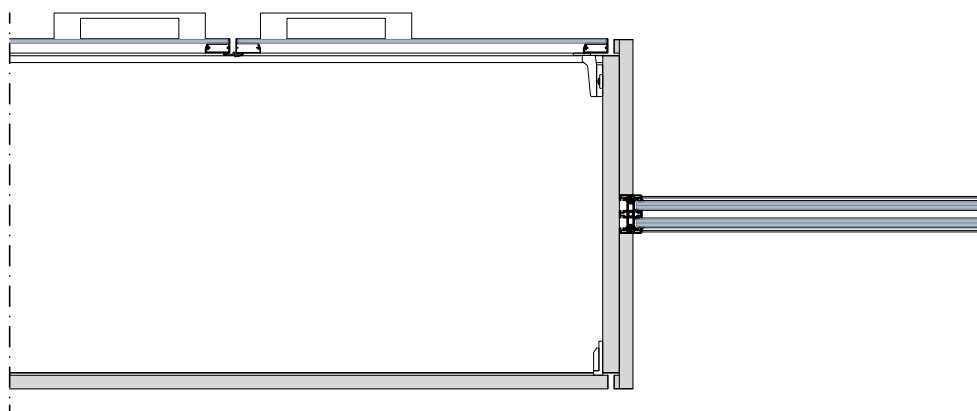


**Central junction with unica, recessed**

*\*connection that fits  
all Metrica F partitions*



**Central junction with metrica f, recessed**



**Central junction with unica d, recessed**

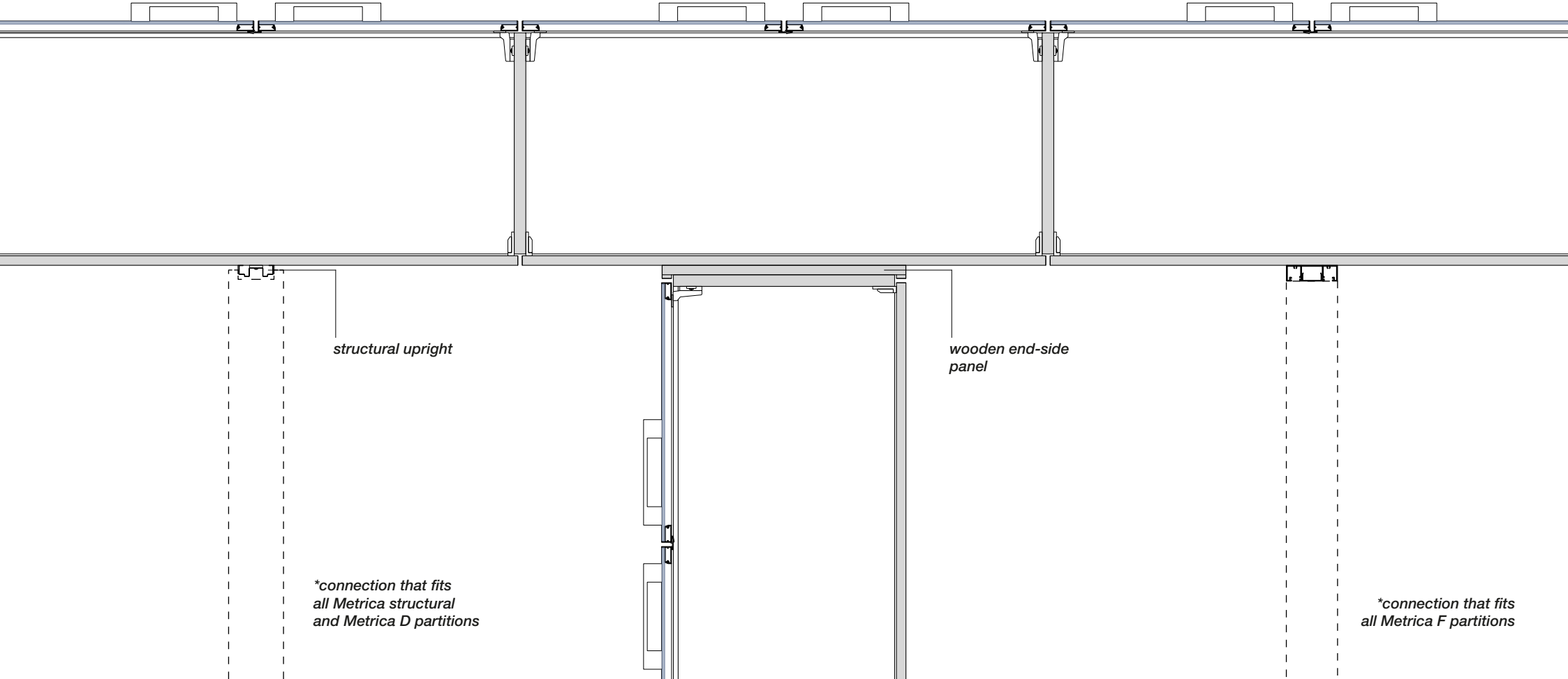
# Three-way junctions



Three-way junction  
with metrica

Three-way junction  
with storage unit

Three-way junction  
with metrica f



*structural upright*

*wooden end-side panel*

*\*connection that fits all Metrica structural and Metrica D partitions*

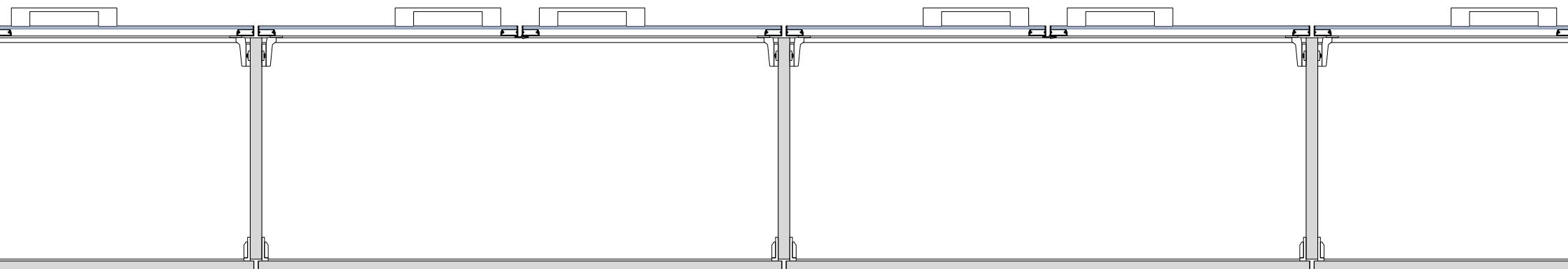
*\*connection that fits all Metrica F partitions*

# Three-way junctions



**Three-way junction  
with ritmica**

**Three-way junction  
with ritmica wood**



*\*connection that fits  
all Ritmica partitions*

*\*connection that fits  
all Ritmica Wood partitions*

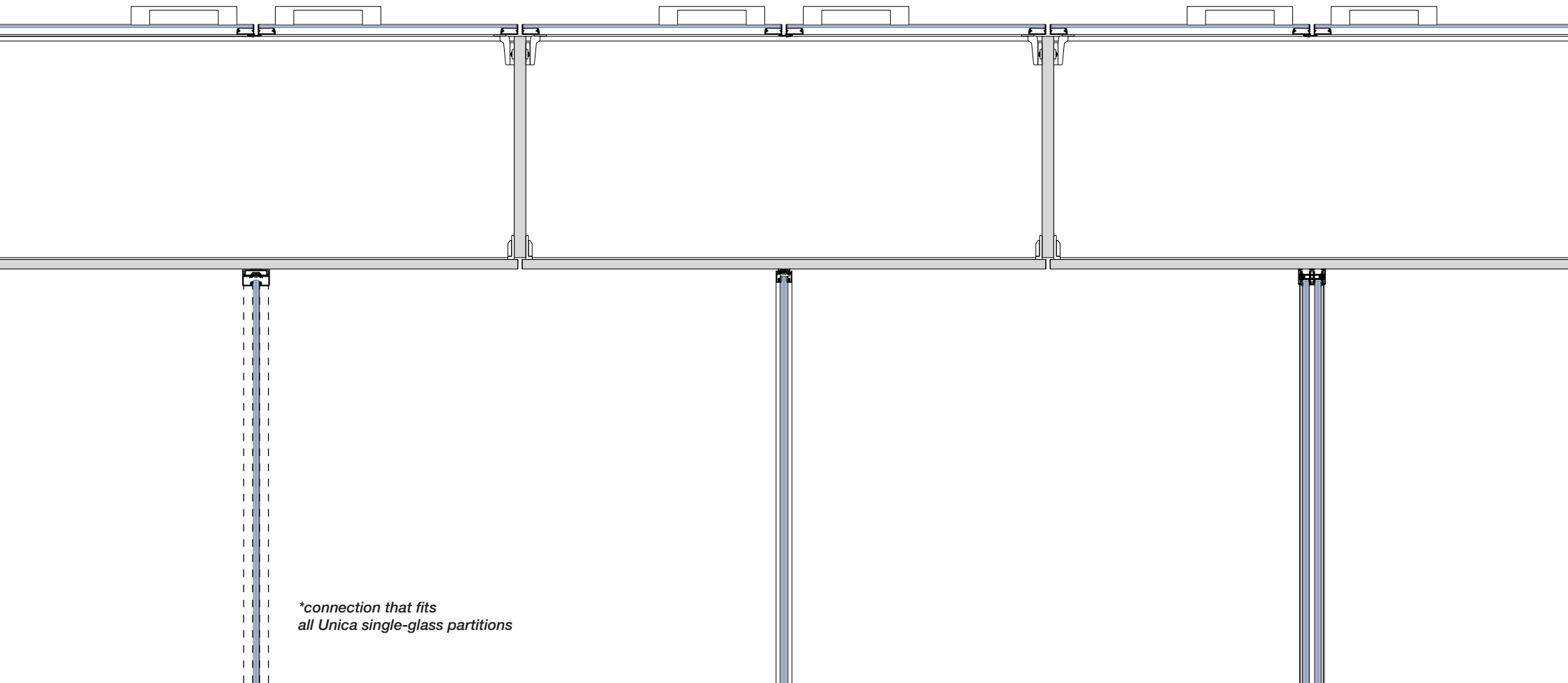
# Three-way junctions



Three-way junction  
with unica

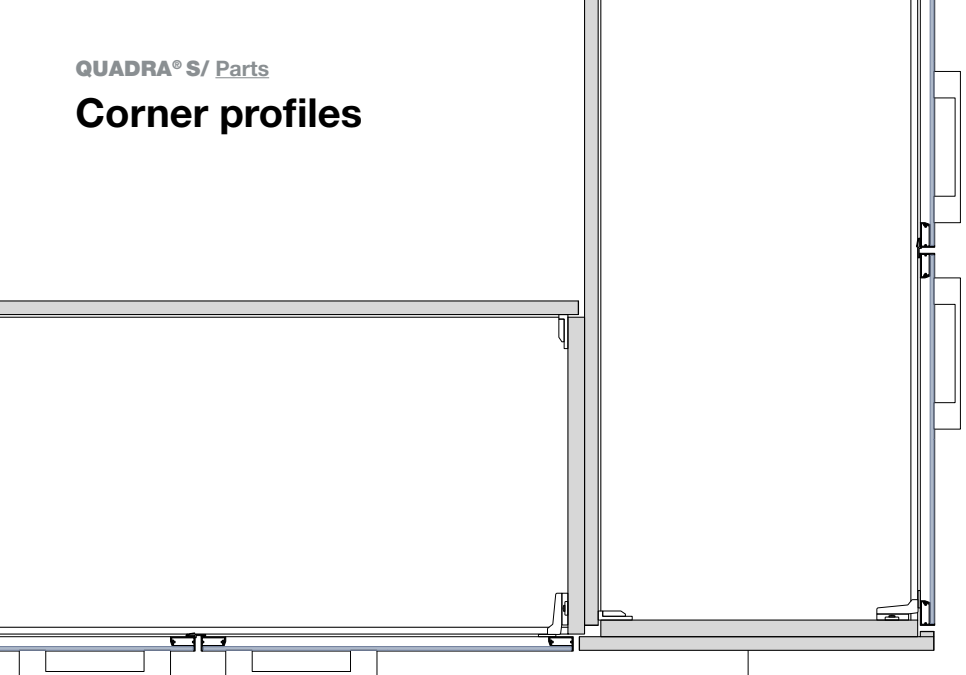
Three-way junction  
with unica slim

Three-way junction  
with unica d



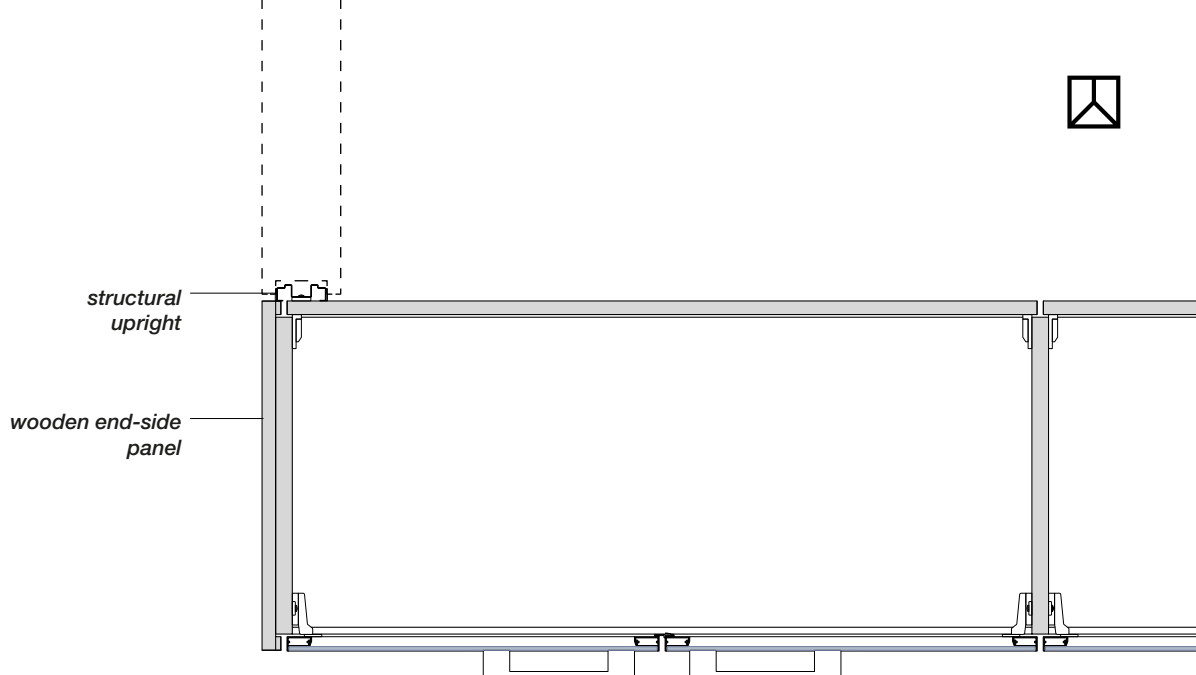
*\*connection that fits  
all Unica single-glass partitions*

# Corner profiles



**90° corner  
quadra- to- quadra**

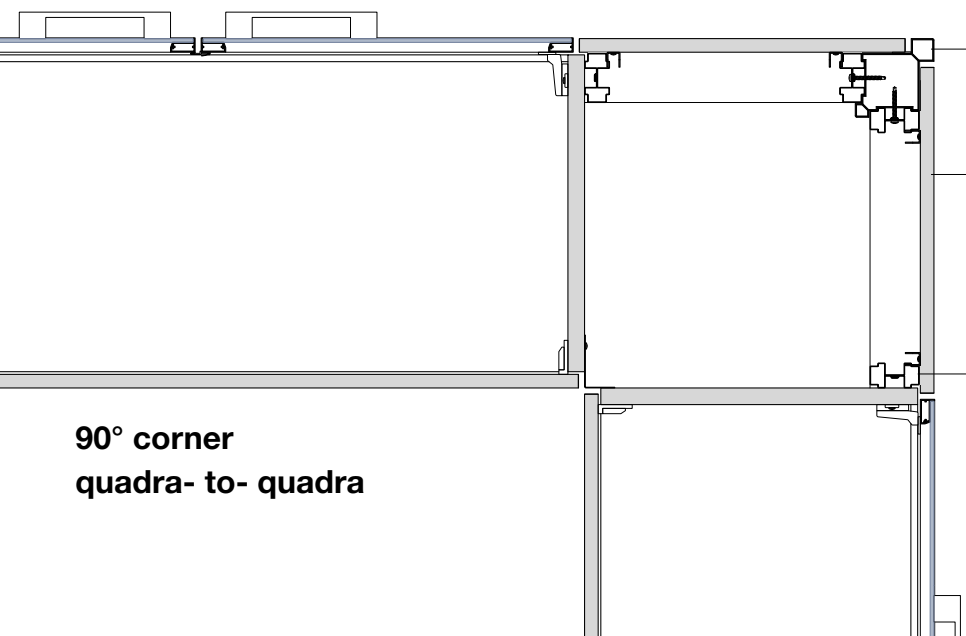
*wooden end-side  
panel*



*structural  
upright*

*wooden end-side  
panel*

**90° corner  
quadra- to- metrica**



**90° corner  
quadra- to- quadra**

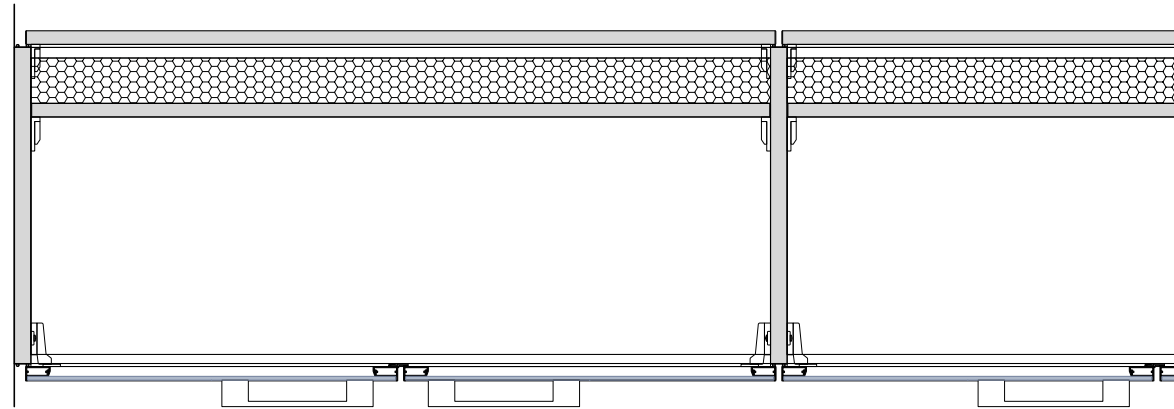
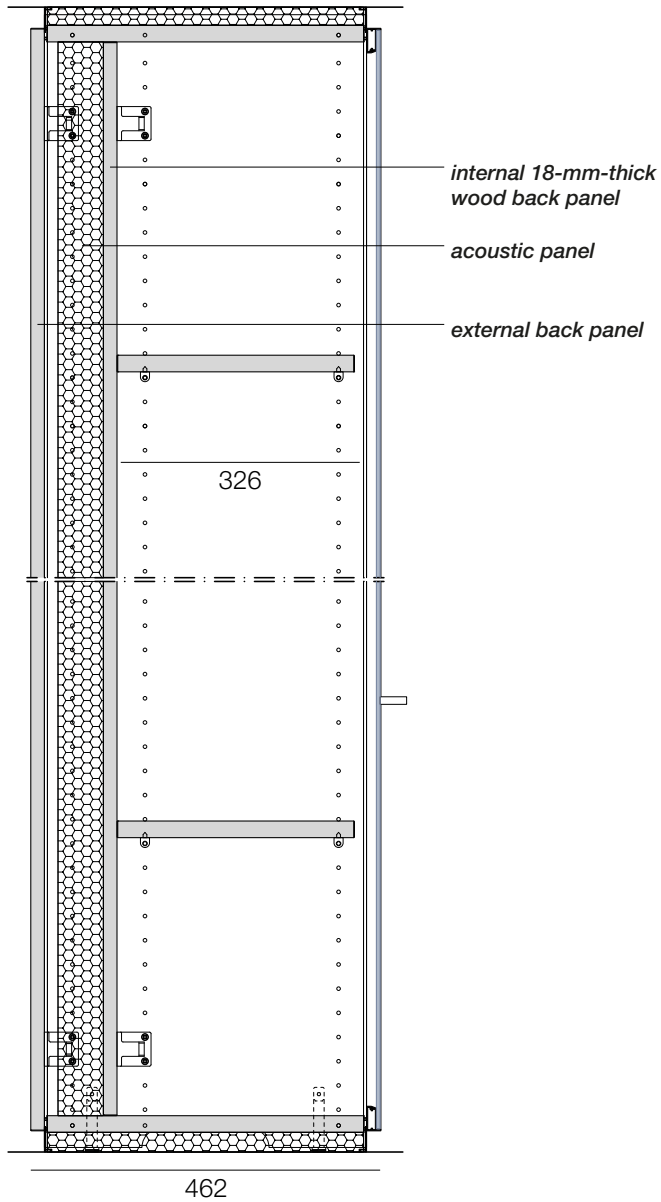
*aluminium  
corner*

*18-mm-thick  
finishing panel*

*structural  
upright*



# Internal insulation



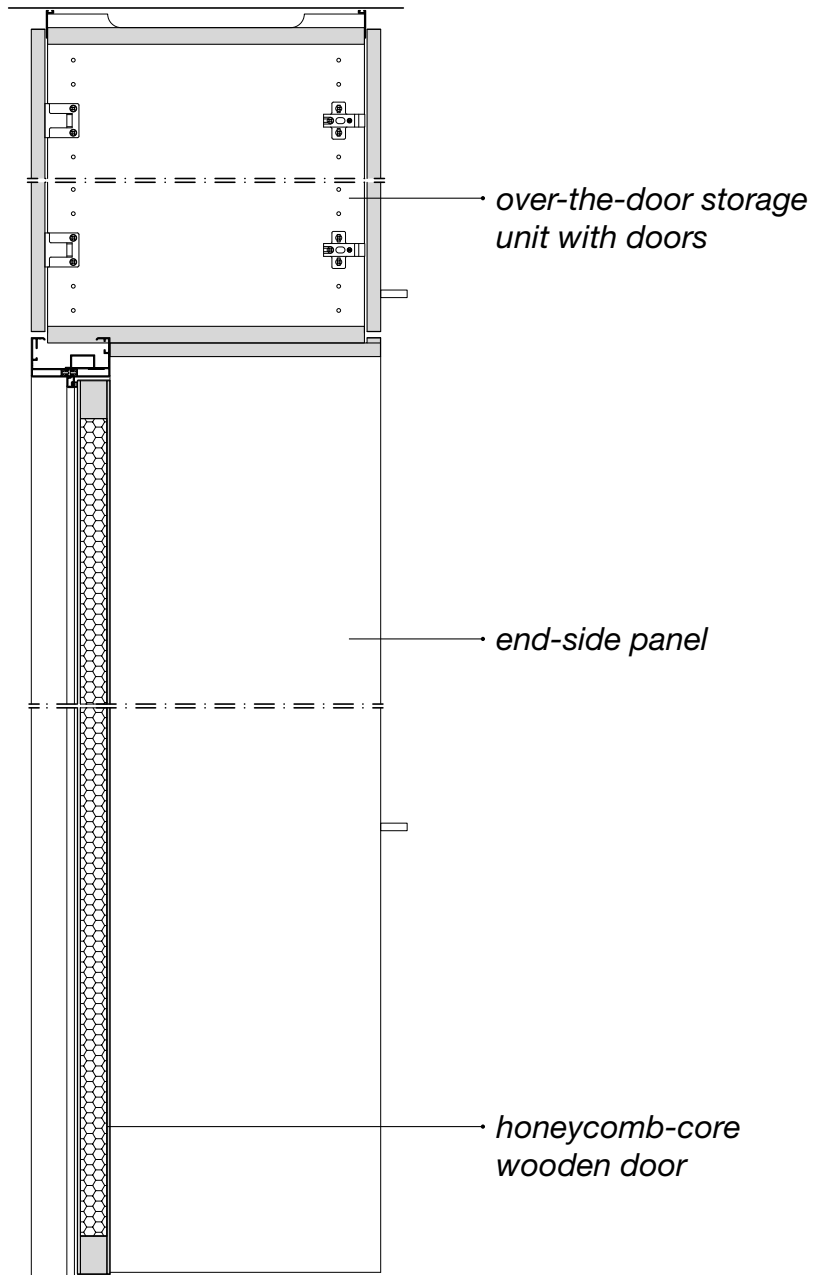
*\*available for 462-mm-thick units only*

**QUADRA®**

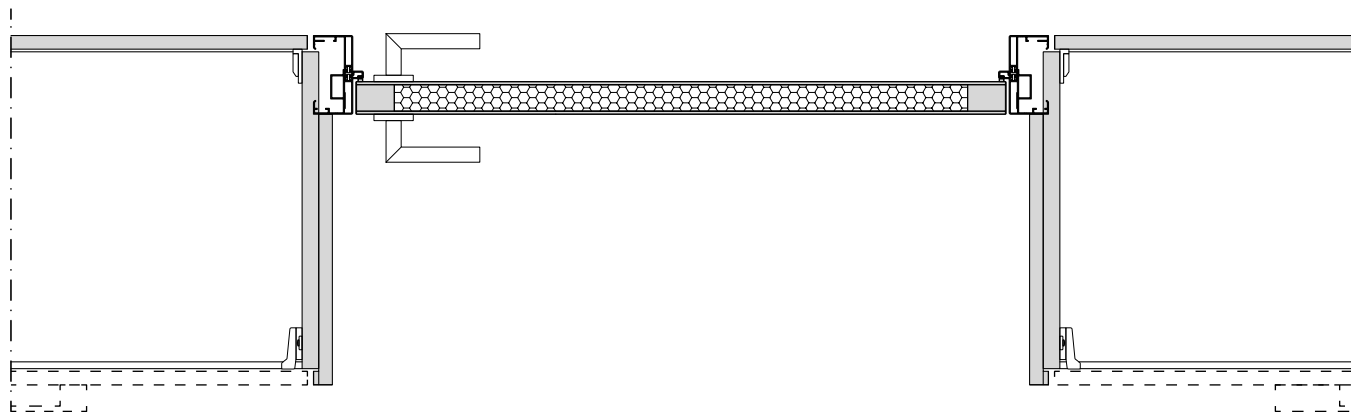
Doors

---

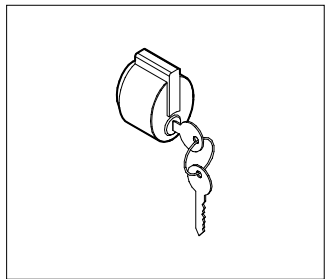
# SOLID DOOR LEAF 43 mm thick



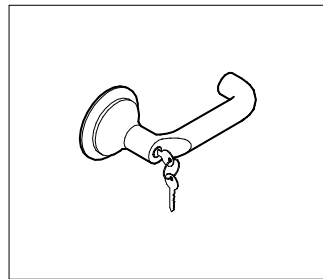
*\*for all Quadra partitions*



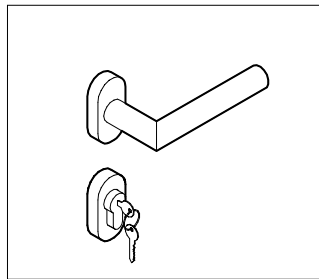
**SOLID DOOR LEAF 43 mm thick**



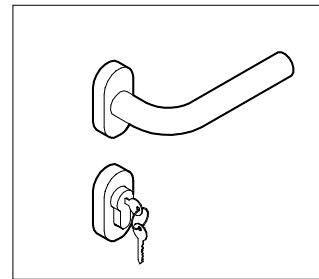
**ML01**



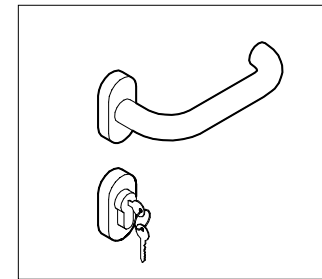
**ML04**



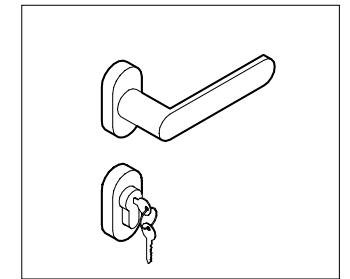
**ML05**



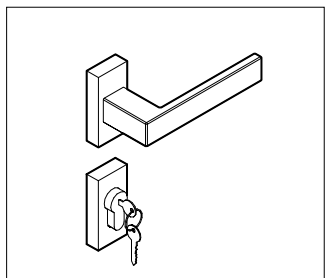
**ML06**



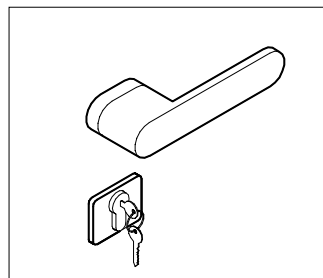
**ML07**



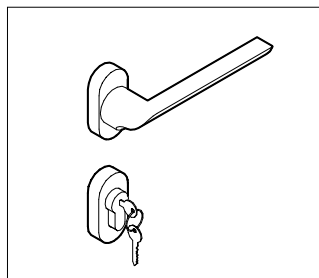
**ML08**



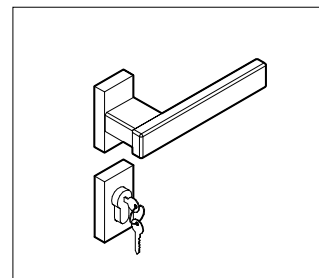
**ML09**



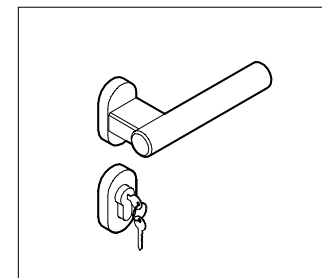
**ML10**



**ML11**

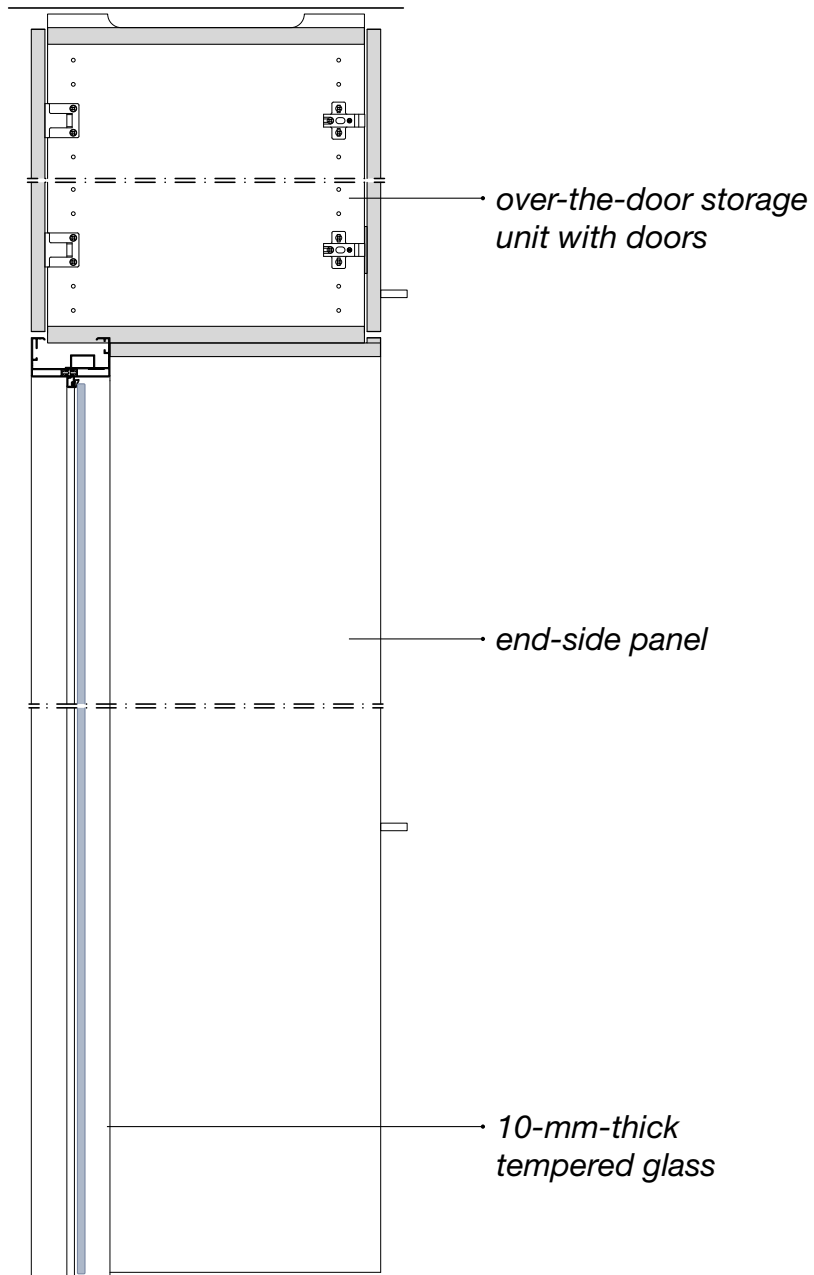


**MLQ**

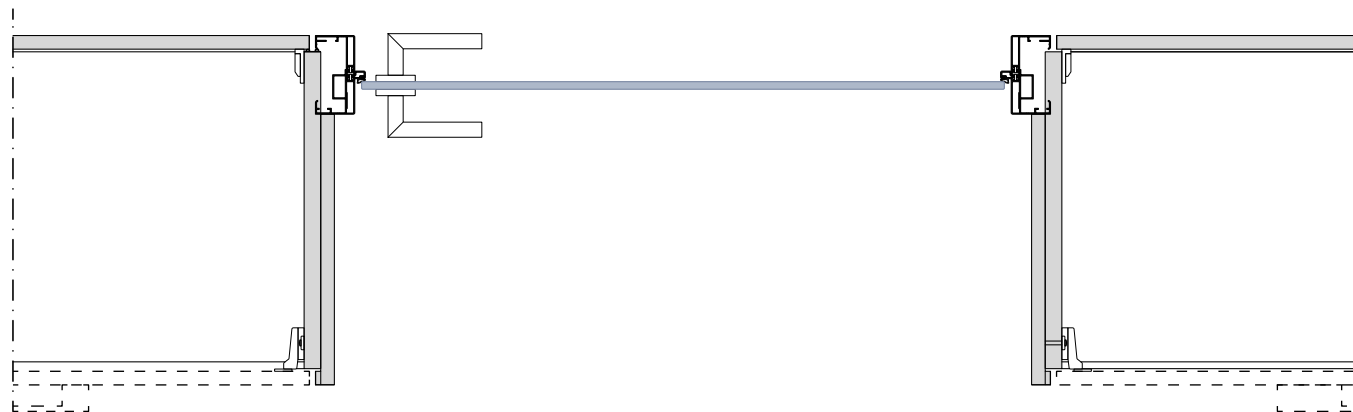


**MLT**

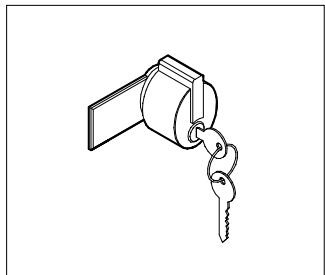
# TEMPERED GLASS DOOR LEAF 10 mm thick



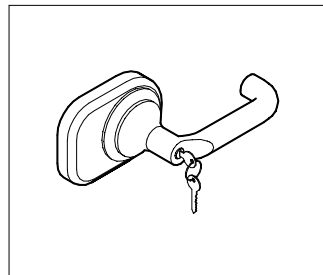
\*for all Quadra partitions



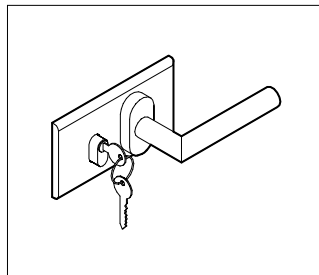
# TEMPERED GLASS DOOR LEAF 10 mm thick



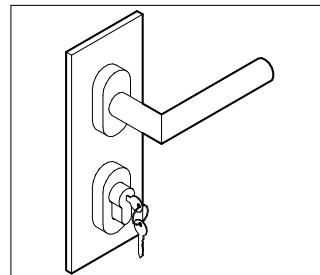
MC01



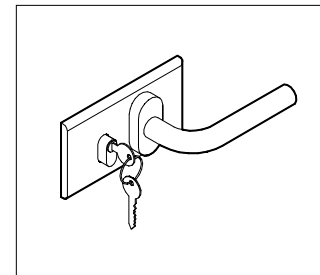
MC04



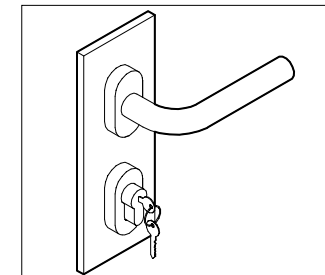
MC05



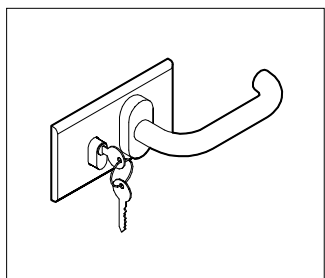
MC05V



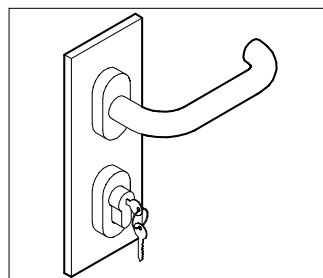
MC06



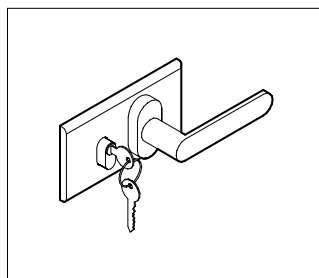
MC06V



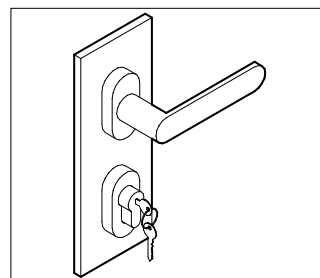
MC07



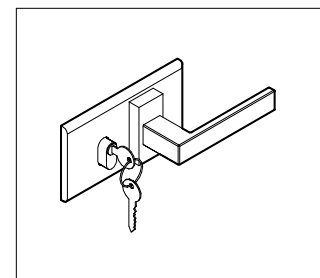
MC07V



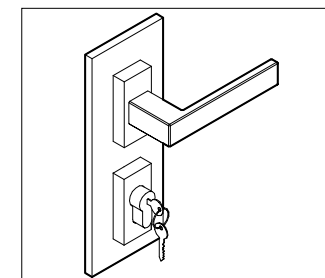
MC08



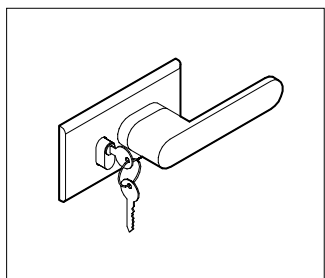
MC08V



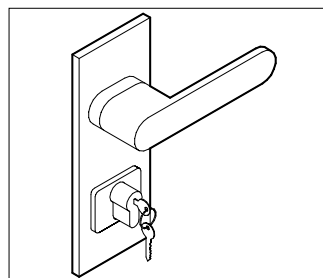
MC09



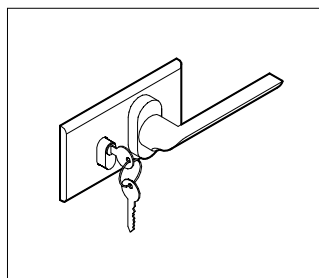
MC09V



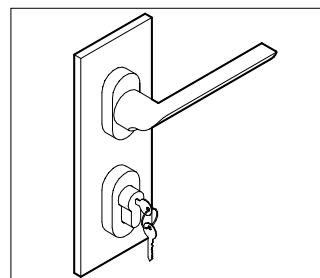
MC10



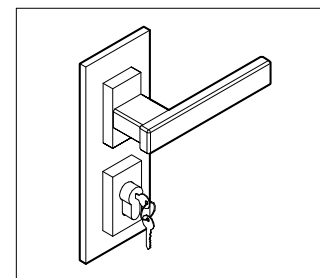
MC10V



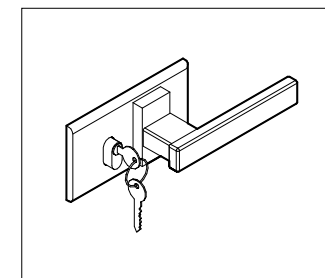
MC11



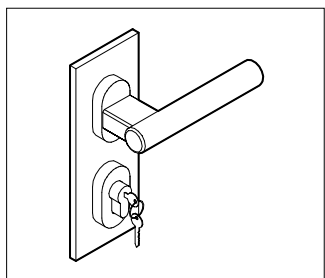
MC11V



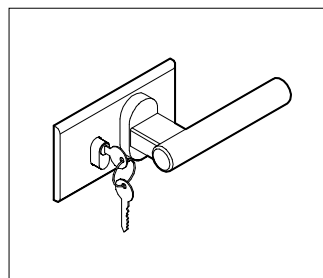
MCQ



MCQO



MCT

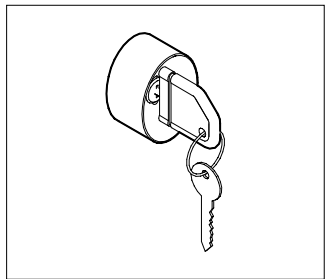


MCTO

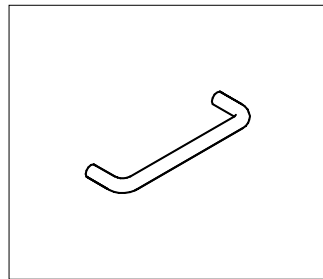
**QUADRA®**

Handles

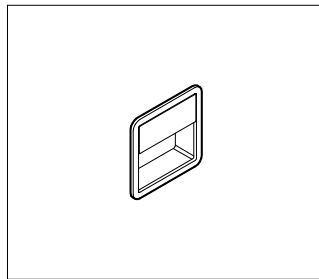
---



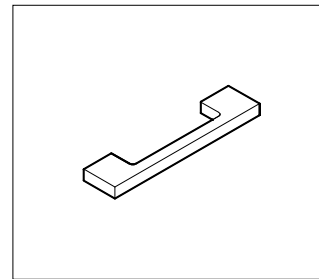
01COMMA1C



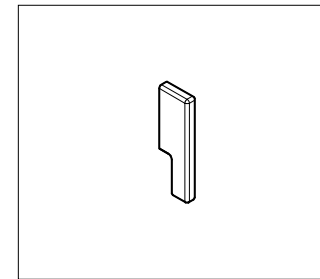
02COMMA2



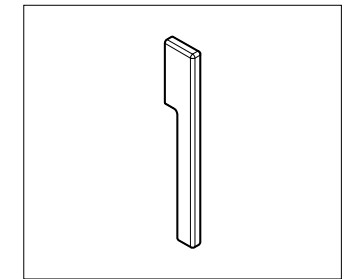
03COMMA3



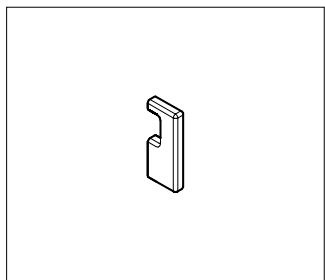
04COMMA4



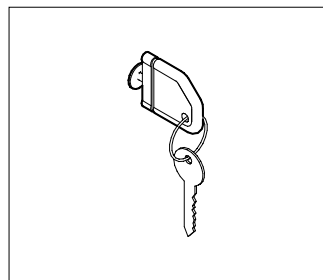
05COMMA5



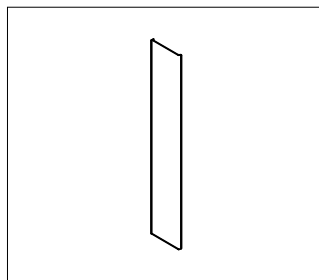
06COMMA6



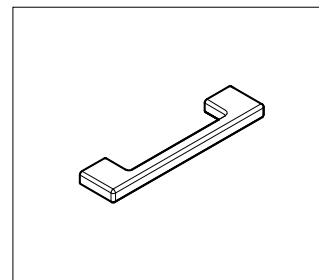
07COMMA7



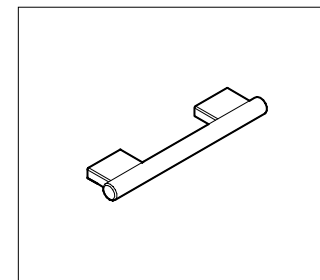
08COMMA9



09COMMA10



10COMMAQ



11COMMAT



**QUADRA®**

Accessories

---



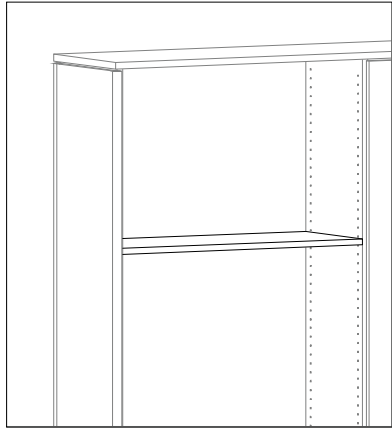
**Shelves**

**Drawers**

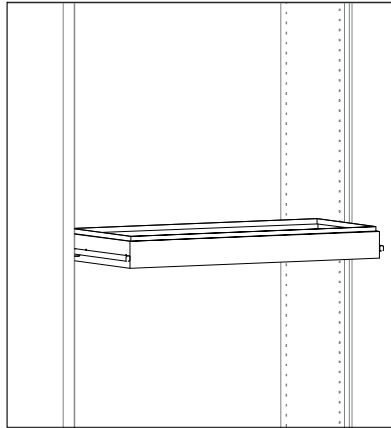
**Grids**

**Coat hanger**

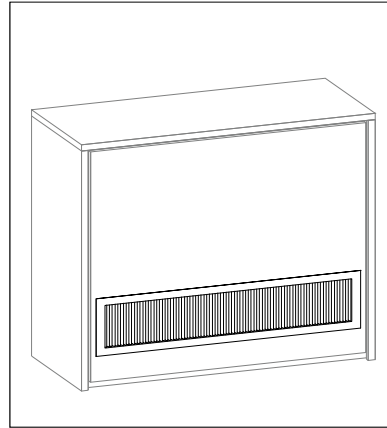
**Fixing system**



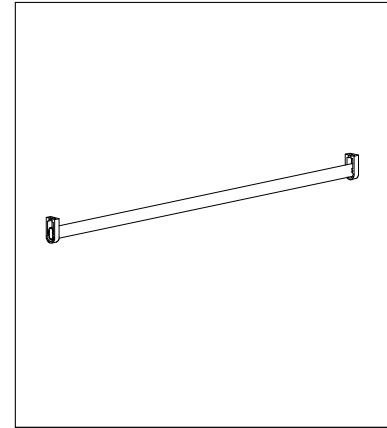
**01 melamine-finished shelf**  
*L 500/1000 mm*



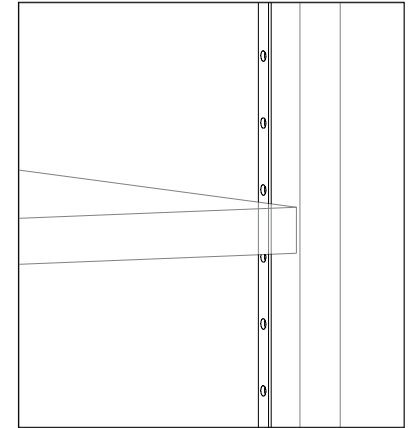
**03 pull-ouit frame**  
*L 1000 mm*



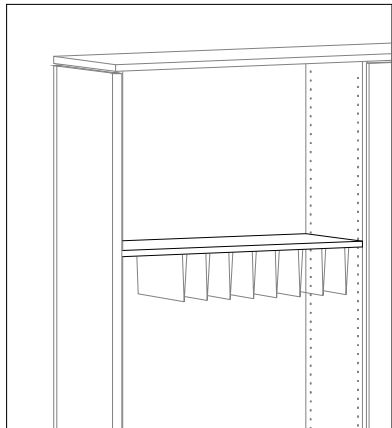
**05 front grid**



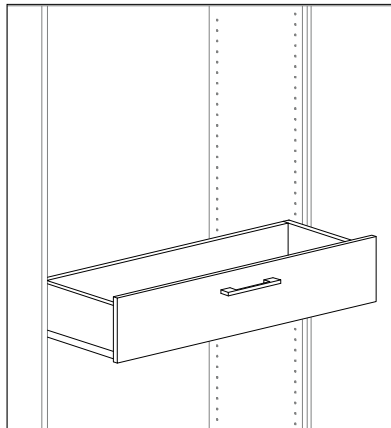
**07 hanger bar**  
*L 500/1000 mm*



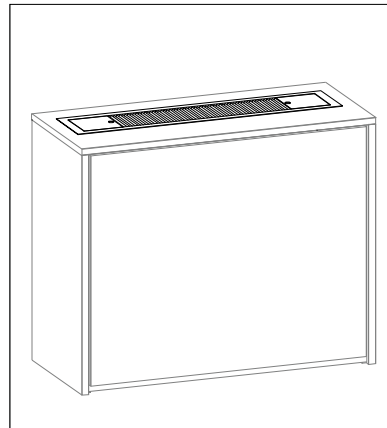
**09 rack profile**



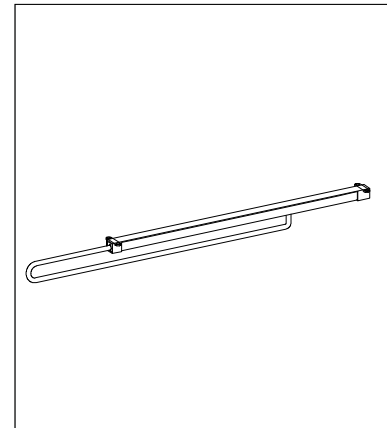
**02 metal shelf**  
*L 500/1000 mm*



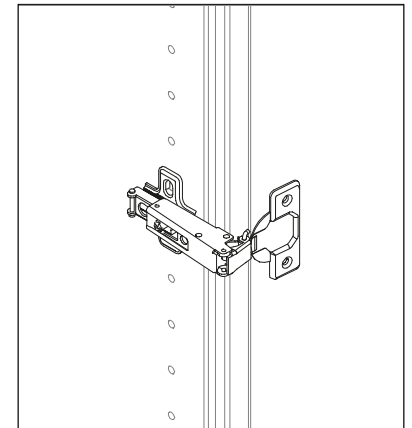
**04 drawer**  
*L 500/1000 mm*



**06 top grid**



**08 pull-out coat hanger**



**10 internal 180°- opening hinge**

**QUADRA®**

Finishes

---

# Frame



## Anodised

## RAL Finishes

## Polish

## Wood



01 Natural aluminium



01 White



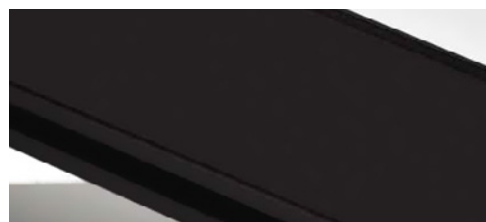
01 Shine



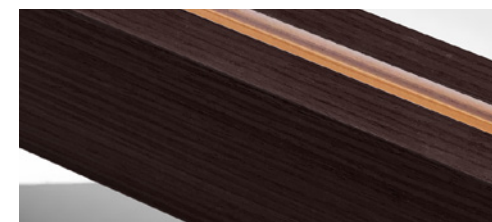
01 Light oak



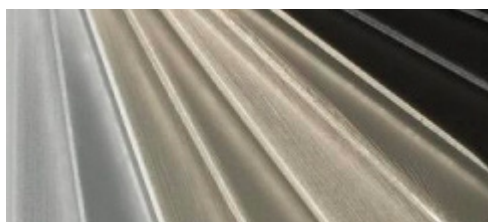
02 Bronze



02 Black



02 Dark oak



03 Custom colour



03 Custom colour

# Solid panels



CAT. 1



**055** Graphite black



**420** Gunmetal



**418** Ash grey



**419** Light grey



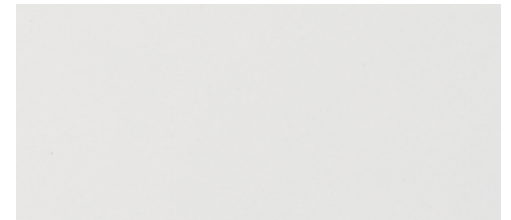
**393** Dove grey



**417** Vanilla

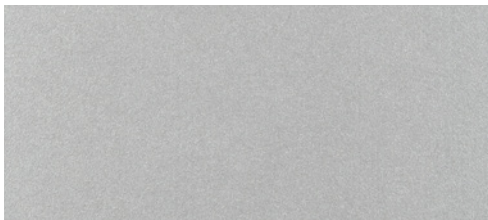


**429** Warm white

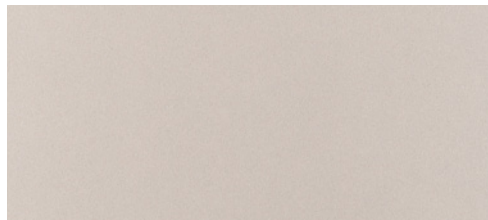


**428** Cold white

CAT. 2



**422** Silver

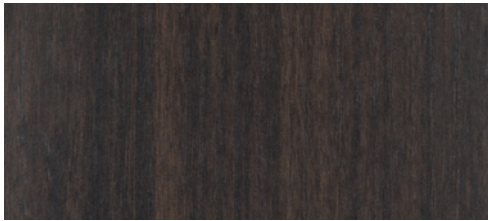


**423** Champagne

# Woods



CAT. 1



**421** Eucaliptus



**426** Mid-tone oak

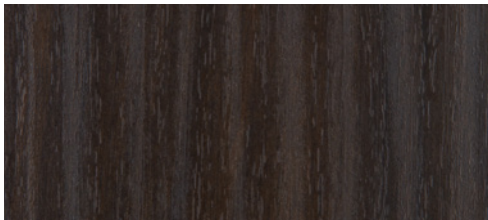


**274** Acacia

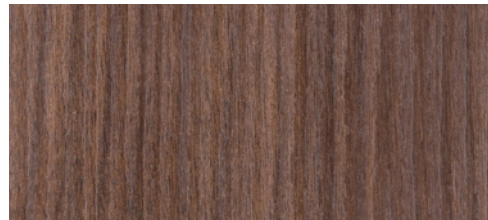


**416** Streaked white

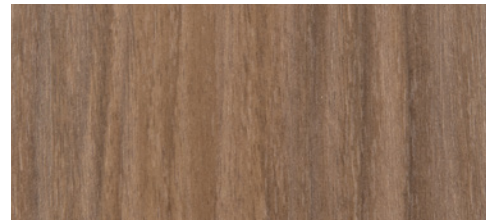
CAT. 2



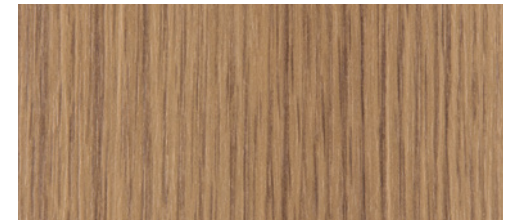
**425** Dark walnut



**318** Mid-tone walnut



**427** Light walnut

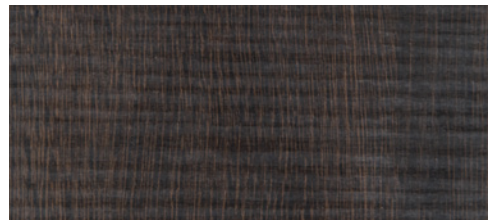


**382** Natural oak

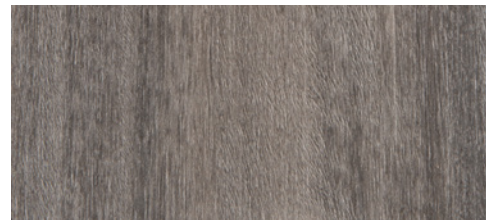
CAT. 3



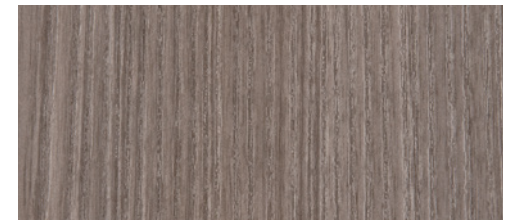
**138** Aged saw-cut oak



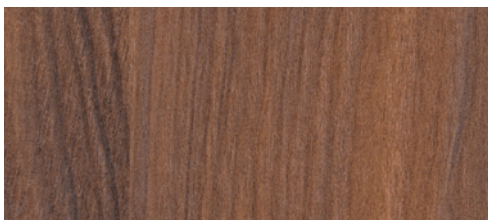
**197** Saw-cut eucaliptus



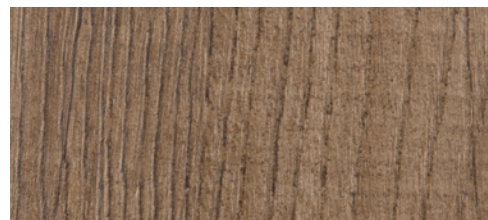
**408** Grey oak



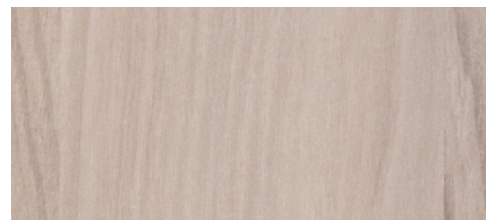
**400** Danube oak



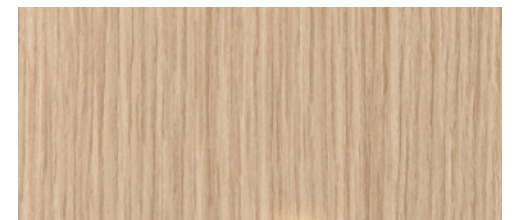
**414** Red walnut



**412** Vintage oak



**413** Champagne oak



**410** Light oak

# Textures



CAT. 2



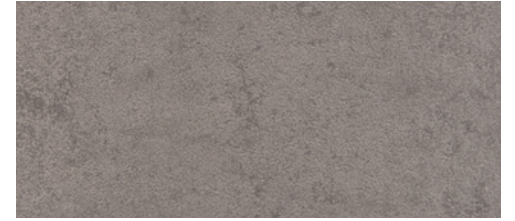
**304** Dark-tone fabric



**123** Mid-tone fabric



**305** Light-tone fabric

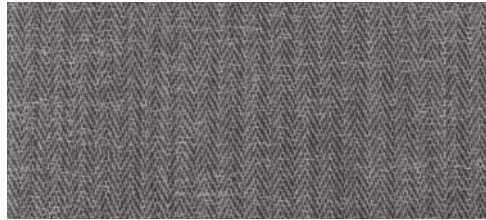


**424** Oxide

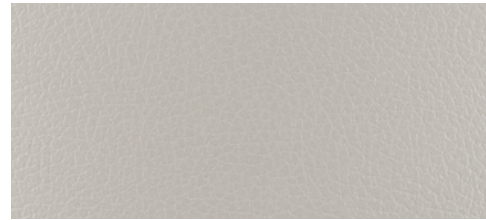
CAT. 3



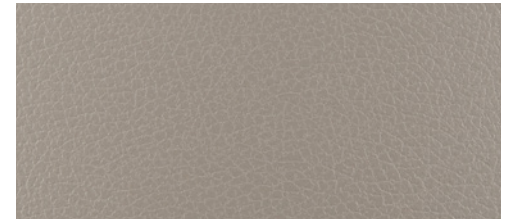
**385** Bronze linen



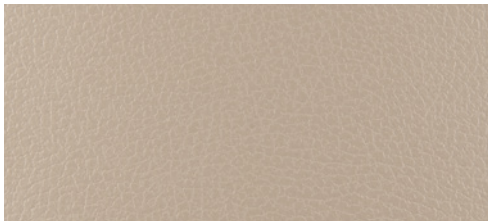
**409** Bark



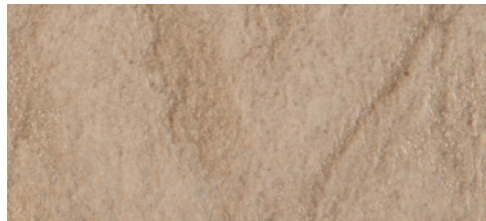
**406** Primo fiore grey



**405** Primo fiore dove grey



**404** Primo fiore beige



**415** Desert

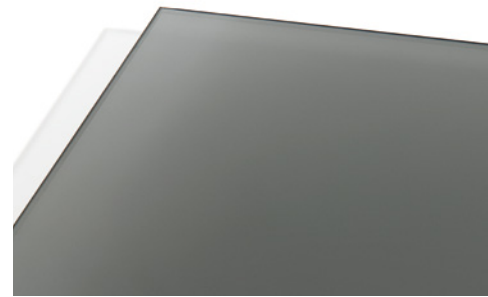
# Glass



01 Clear



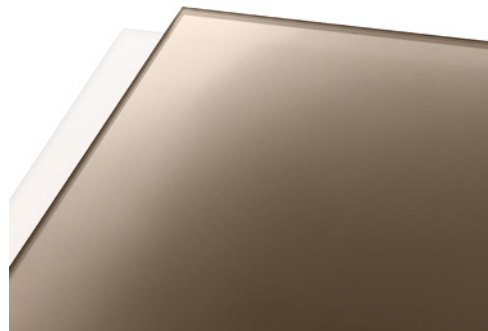
03 Satin



05 Smoked



02 Extra light



04 Bronze



06 Custom painted





**Etoile s.r.l. - Società Unipersonale**

Via D. Albertario, 50 61032 Zona Ind.le Bellocchi - Fano ( PU ) Italy  
P. +39.0721.85.59.34 - F. +39.0721.85.92.14  
info@etoilesrl.it - www.etoilesrl.it