



☐ ETOILE

QUADRA® V

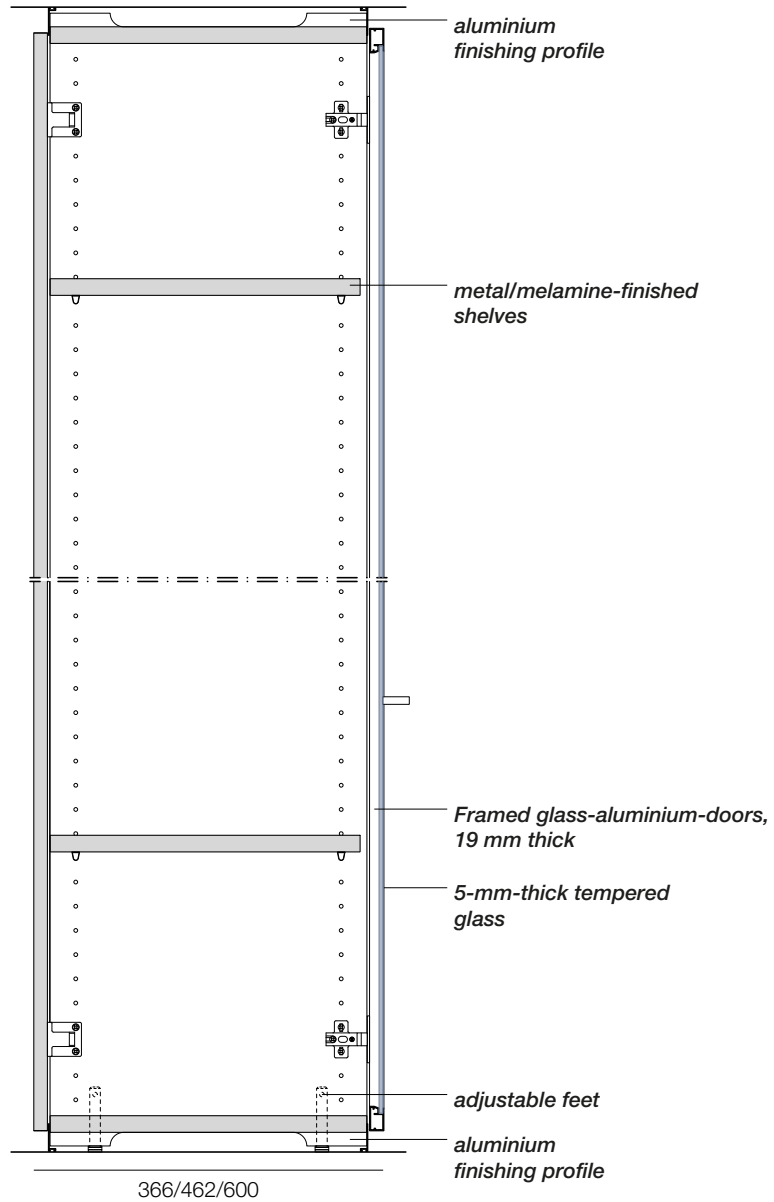




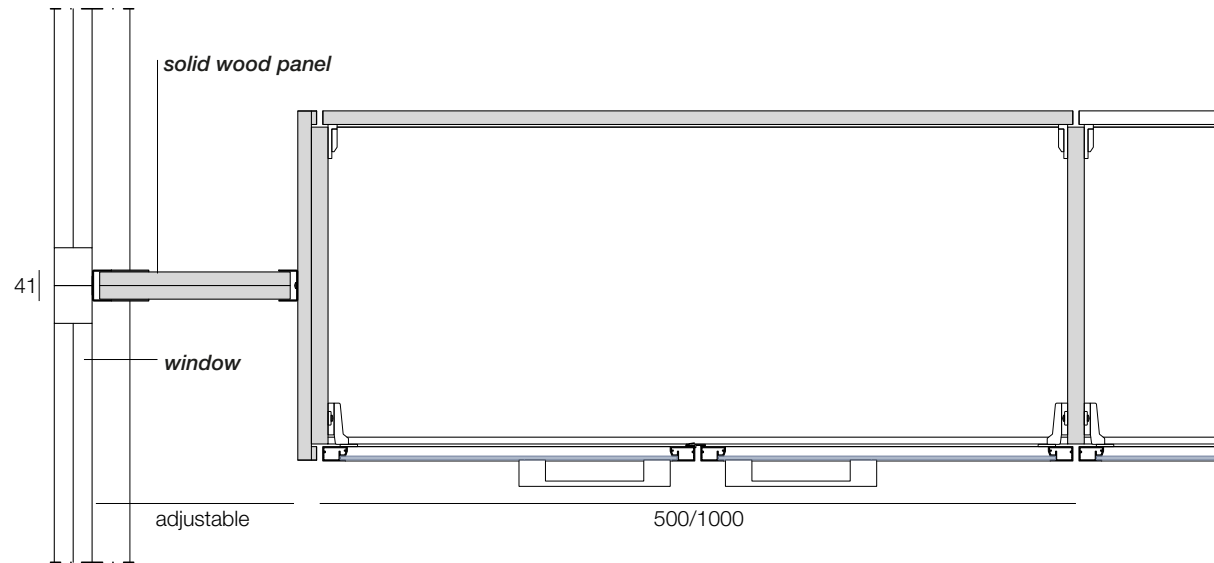
- 01.** 3 depths - 600, 462 and 366 mm
- 02.** 2 widths - 500 and 1000 mm
- 03.** Supporting frame in melamine-finished panels, 22 mm thick
- 04.** Back and side panels: melamine-finished, veneered or lacquered - 18 mm thick
- 05.** Framed glass doors - 19 mm thick
- 06.** Aluminium top and bottom finishing profile
- 07.** Cable management in the base section
- 08.** Melamine-finished or metal internal shelves
- 09.** Hanger bars
- 10.** Drawers with pull-out file-holders
- 11.** Full-height doors and open shelves
- 12.** Rack profile or 32-mm-pitch holes to allow adjustable shelf positioning
- 13.** Storage units that can be integrated into partition walls



Wall-end uprights

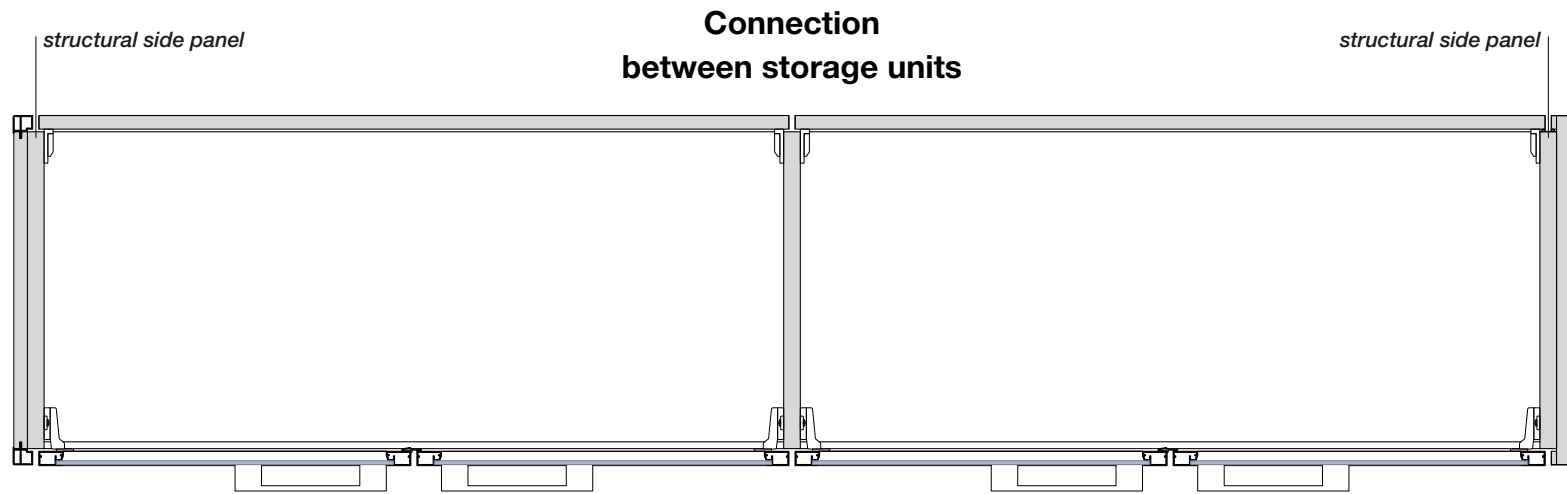


Wall-end upright with filler panel



Wall-end upright

Wall-end uprights



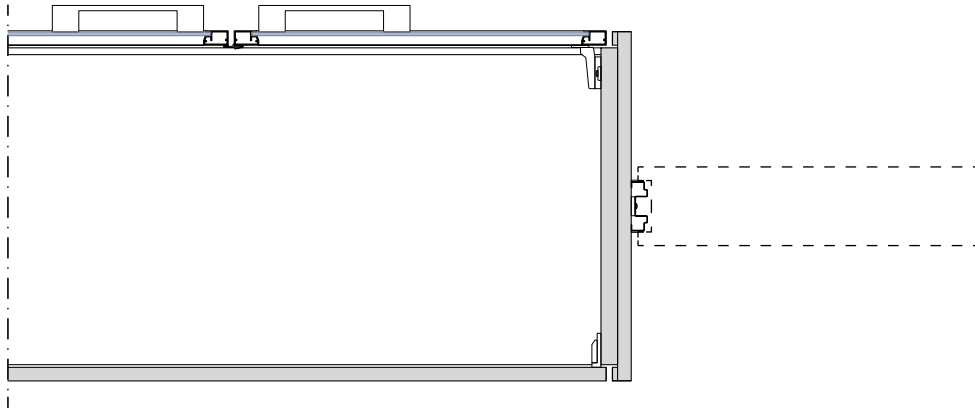
**Wooden end-side panel
with aluminium profiles**

Wooden end-side panel

Linear junctions

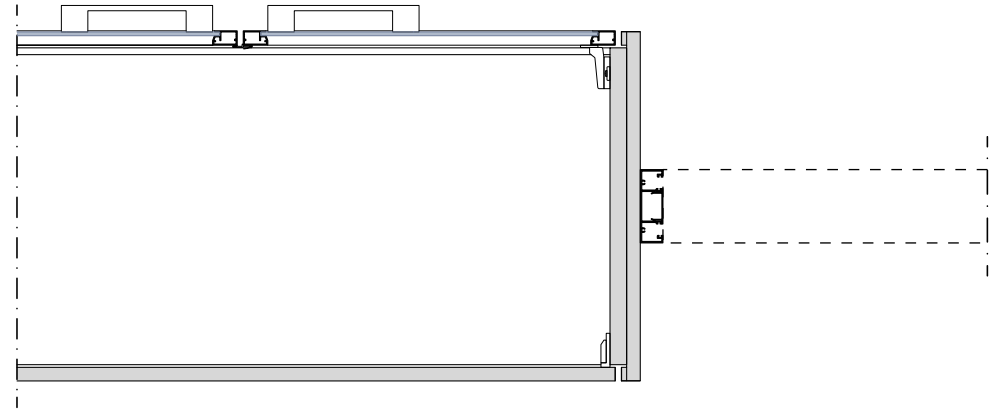


**connections that fit
all Metrica structural and Metrica D partitions*

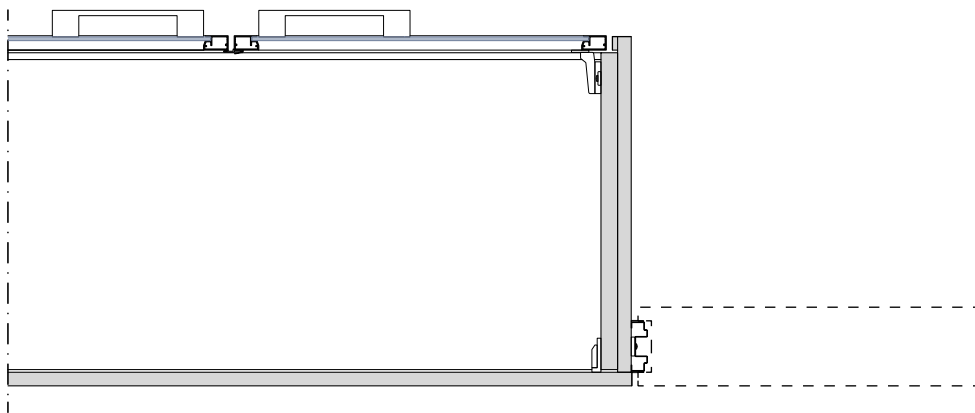


Central junction with metrica

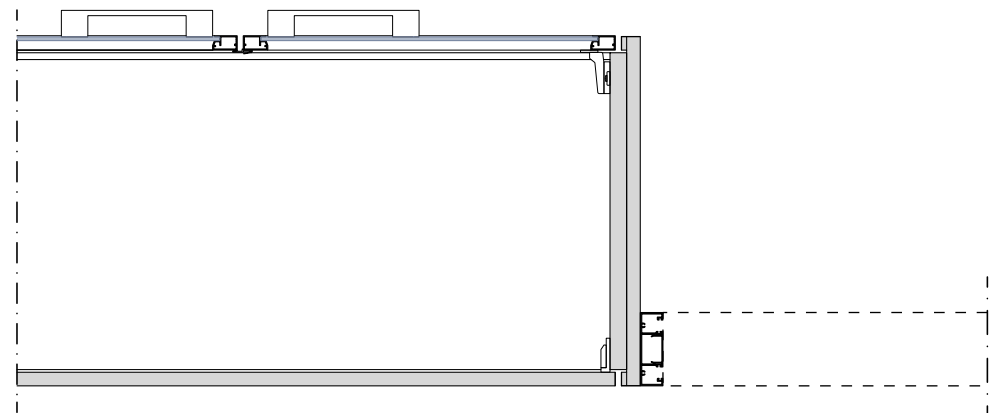
**connections that fit
all Metrica F partitions*



Central junction with metrica f



Straight junction with metrica

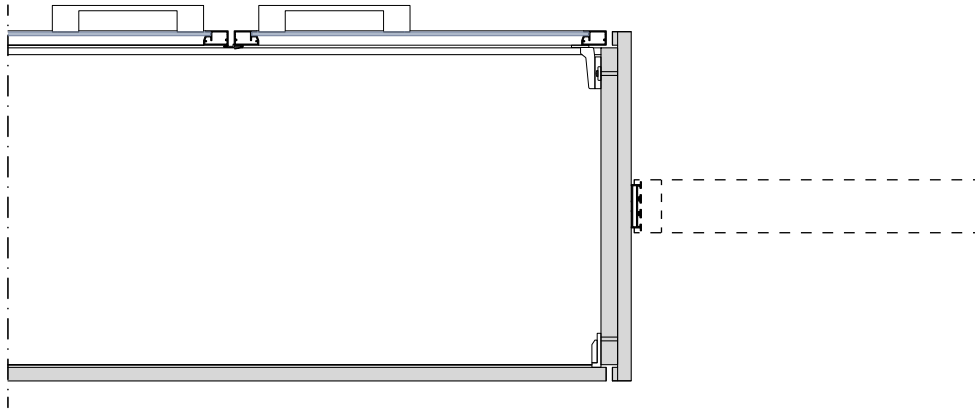


Straight junction with metrica f

Linear junctions

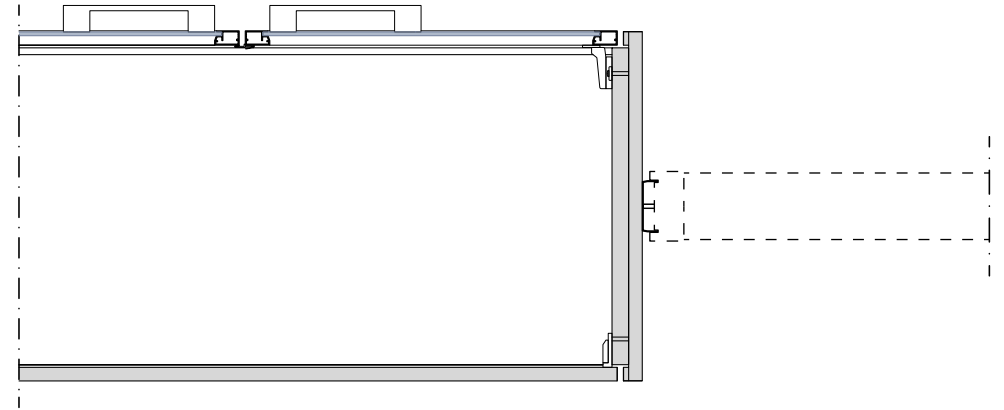


**connections that fit
all Ritmica partitions*

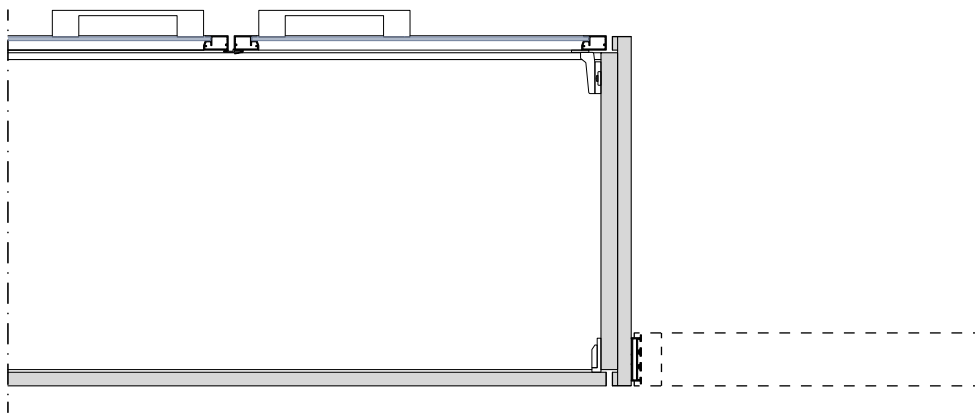


Central junction with ritmica

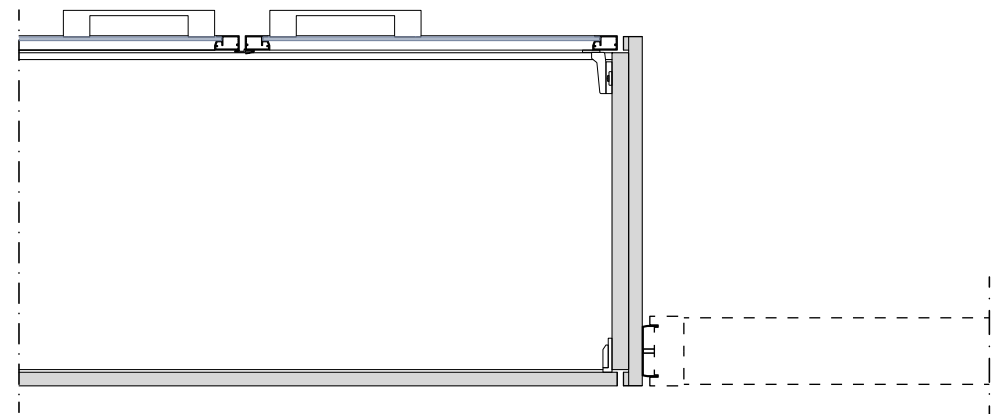
**connections that fit
all Ritmica wood partitions*



Central junction with ritmica wood



Straight junction with ritmica

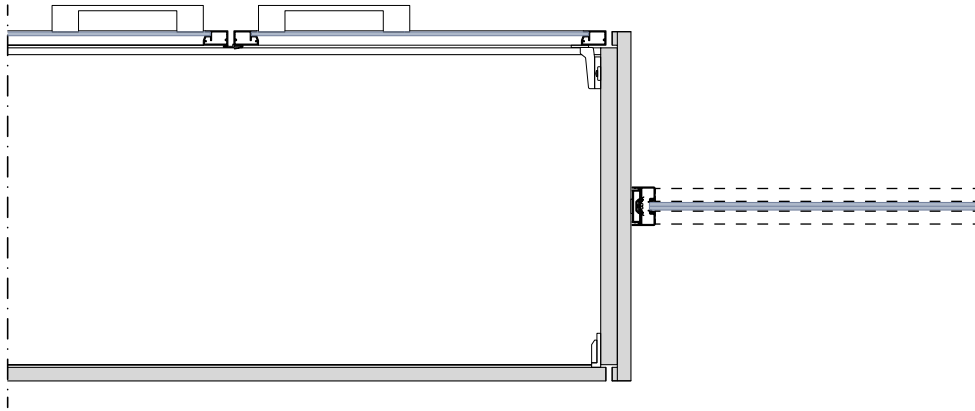


Straight junction with ritmica wood

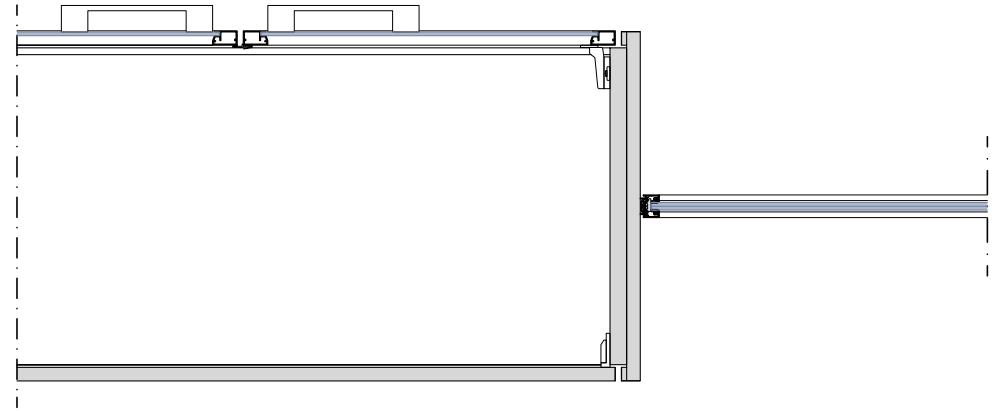
Linear junctions



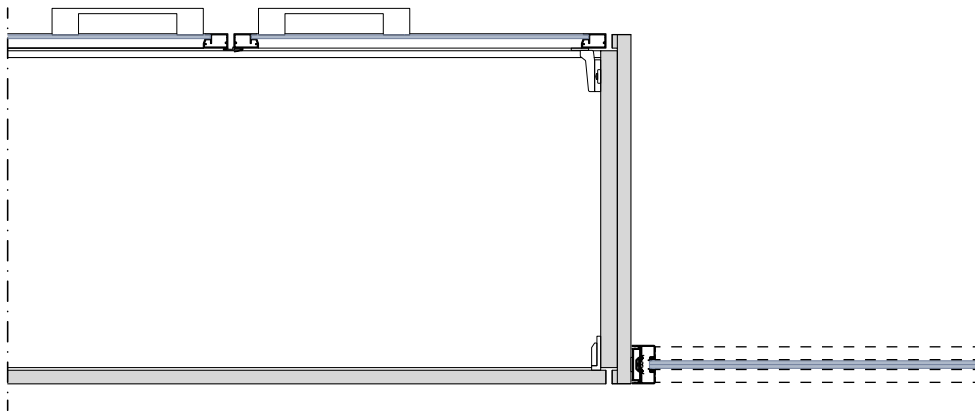
**connections that fit
all Unica single-glass partitions*



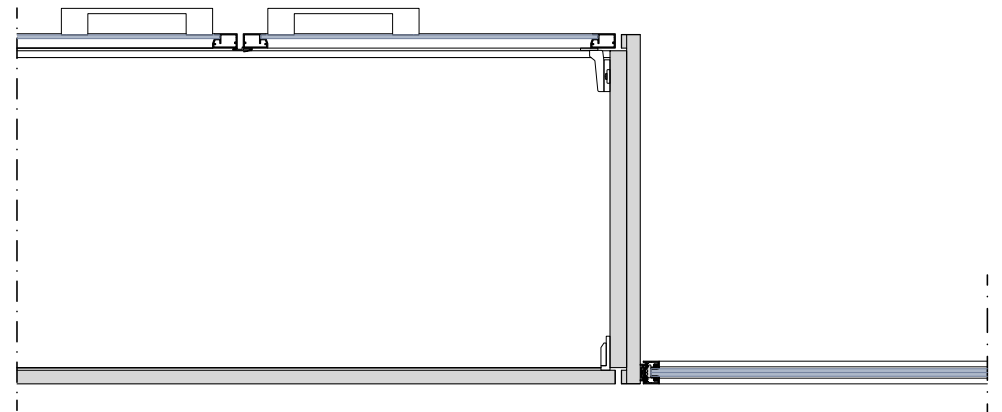
Central junction with unica



Central junction with unica slim

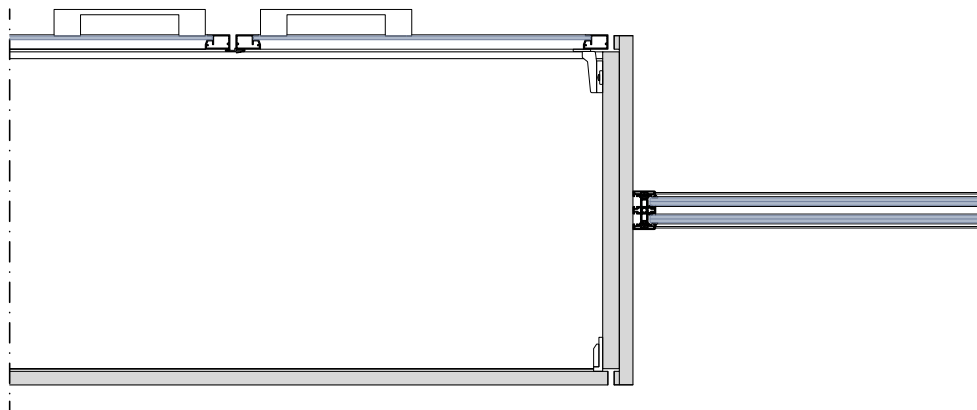


Straight junction with unica

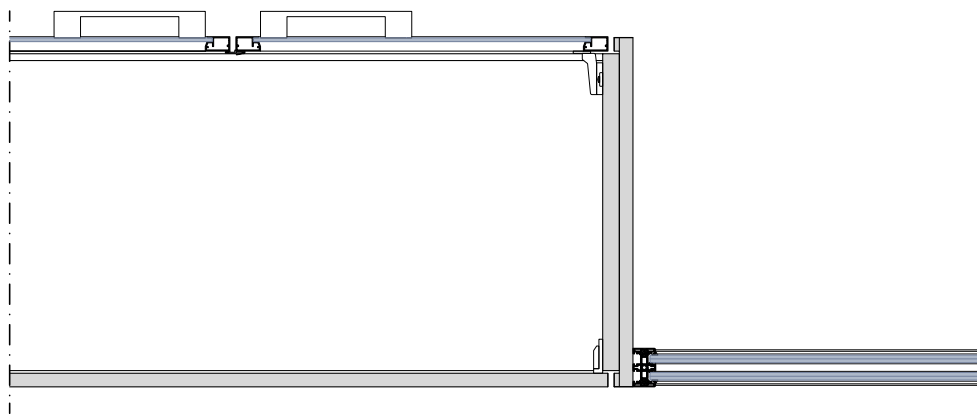


Straight junction with unica slim

Linear junctions



Central junction with unica d

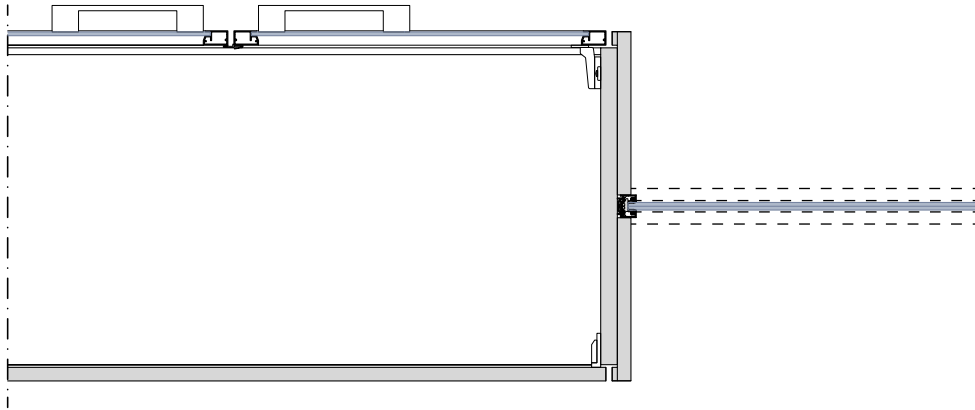


Straight junction with unica d

Linear junctions

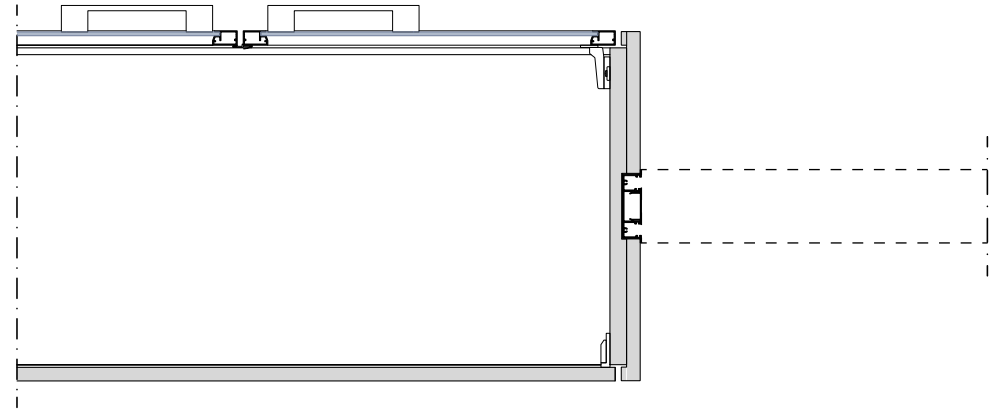


**connection that fits
all Unica single-glass partitions*

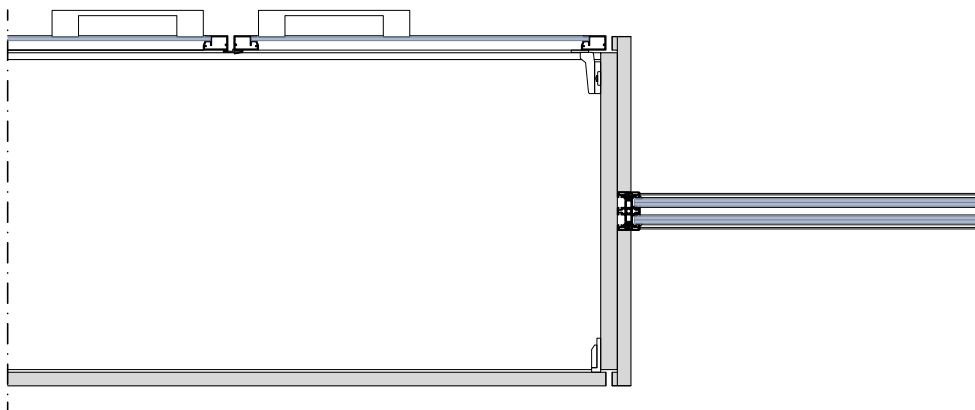


Central junction with unica, recessed

**connection that fits
all Metrica F partitions*



Central junction with metrica f, recessed



Central junction with unica d, recessed

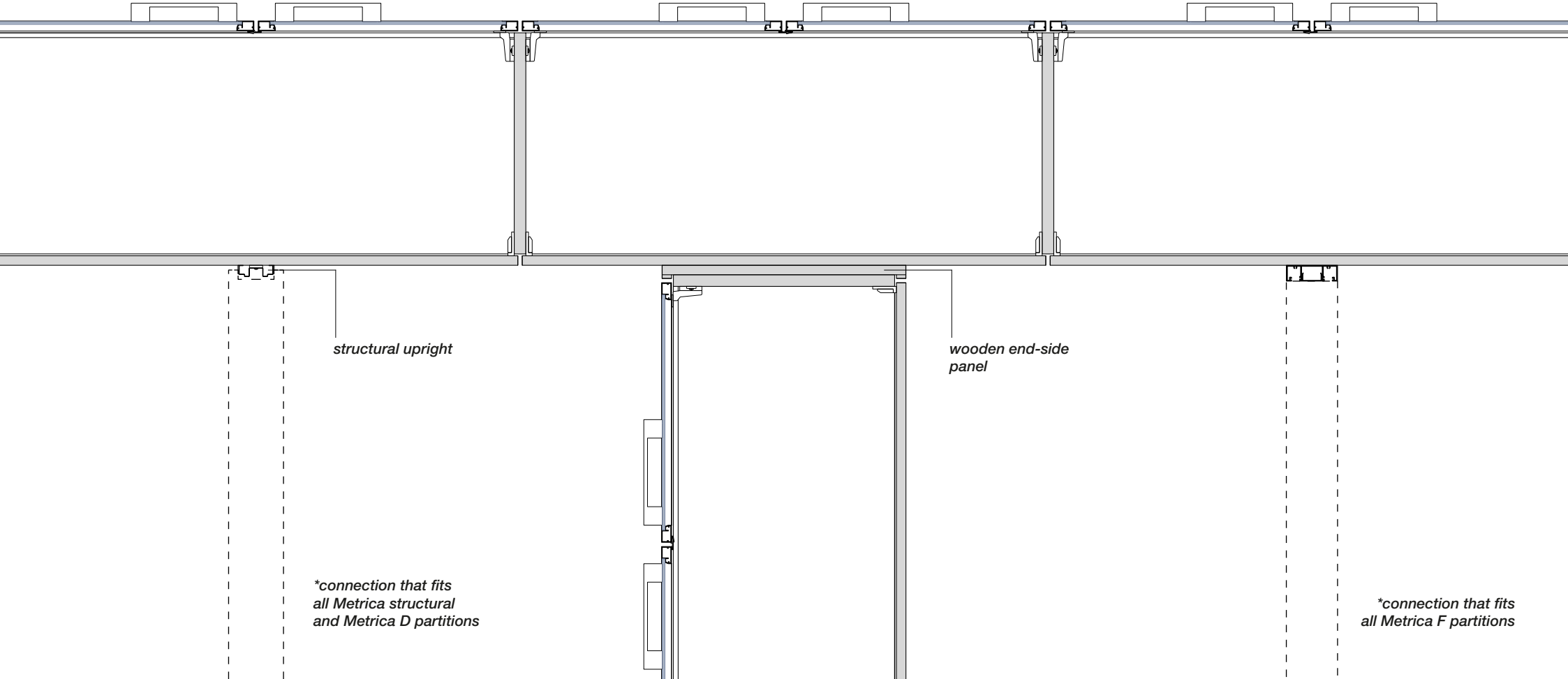
Three-way junctions



Three-way junction
with metrica

Three-way junction
with storage unit

Three-way junction
with metrica f



structural upright

wooden end-side panel

**connection that fits all Metrica structural and Metrica D partitions*

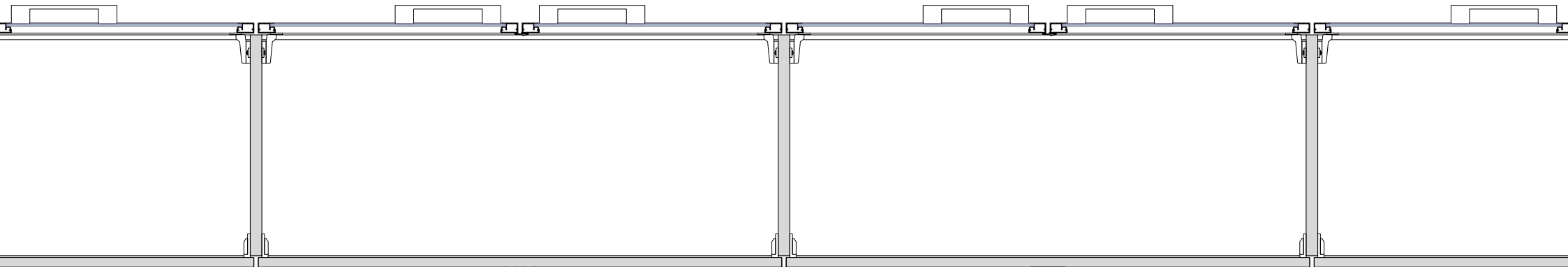
**connection that fits all Metrica F partitions*

Three-way junctions



**Three-way junction
with ritmica**

**Three-way junction
with ritmica wood**



**connection that fits
all Ritmica partitions*

**connection that fits
all Ritmica Wood partitions*

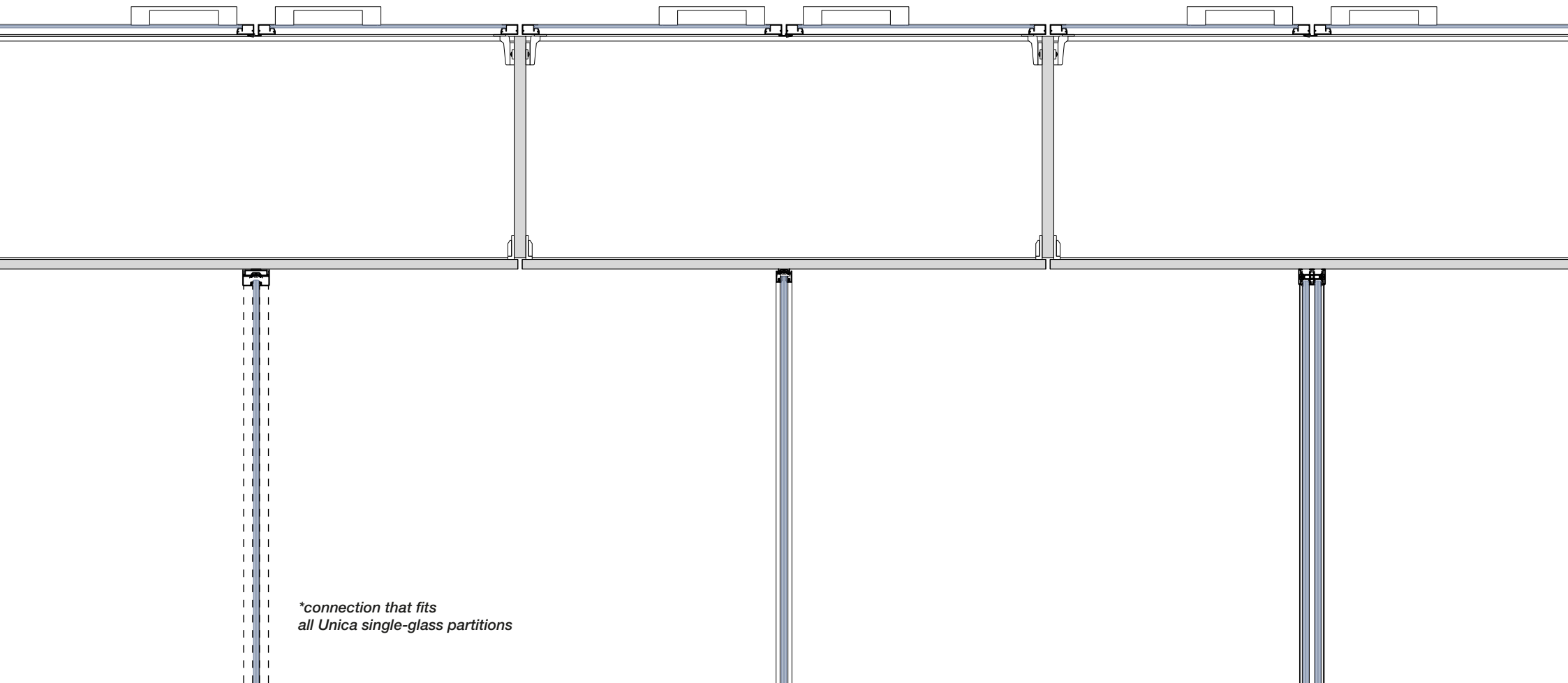
Three-way junctions



Three-way junction
with unica

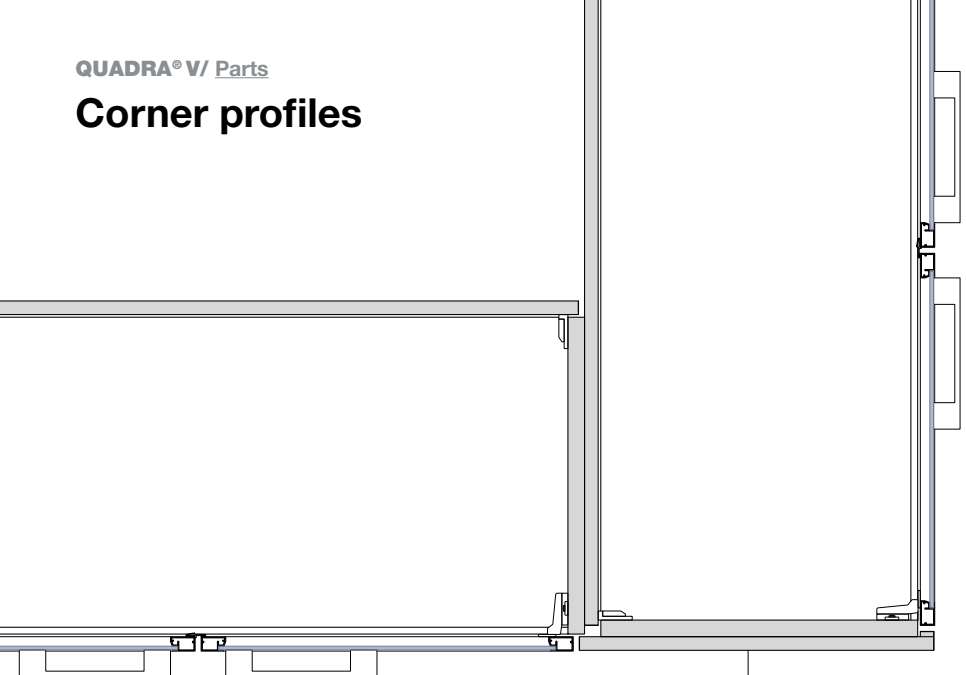
Three-way junction
with unica slim

Three-way junction
with unica d



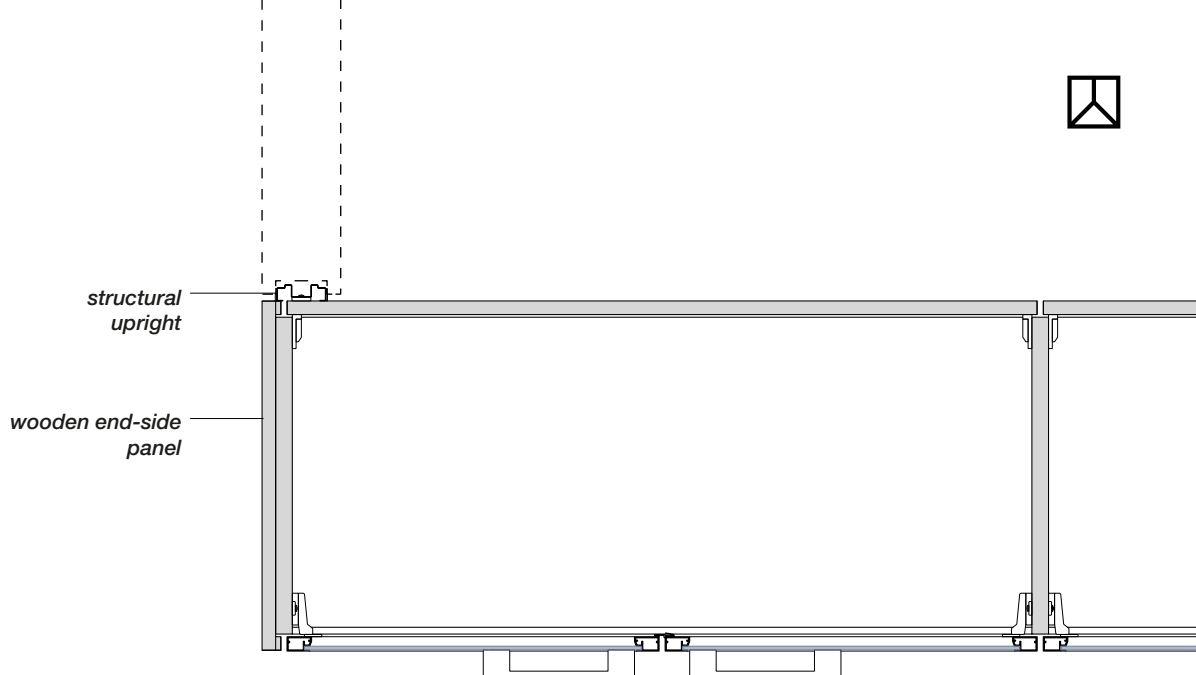
**connection that fits
all Unica single-glass partitions*

Corner profiles



**90° corner
quadra- to- quadra**

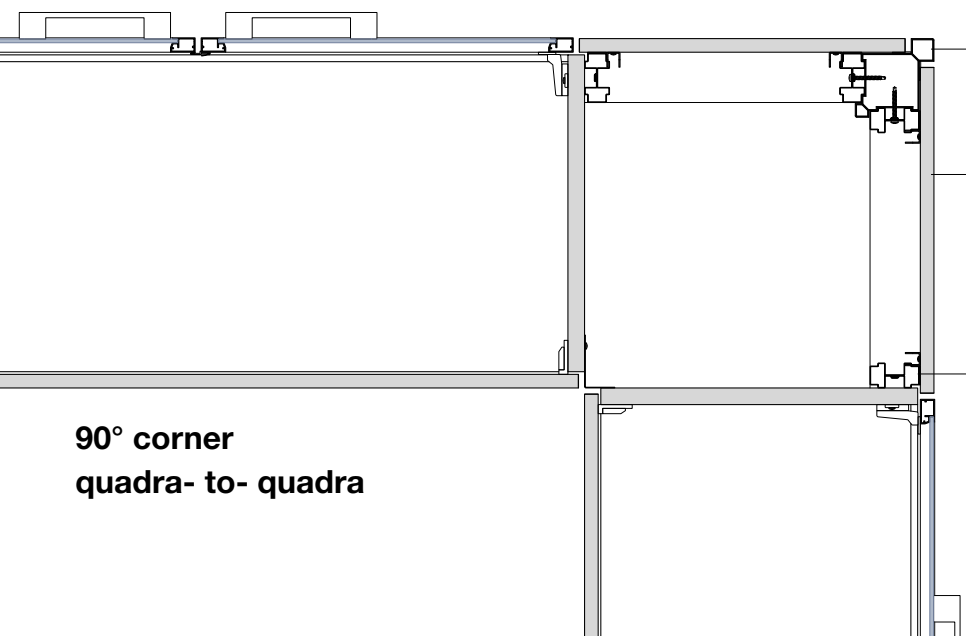
*wooden end-side
panel*



*structural
upright*

*wooden end-side
panel*

**90° corner
quadra- to- metrica**



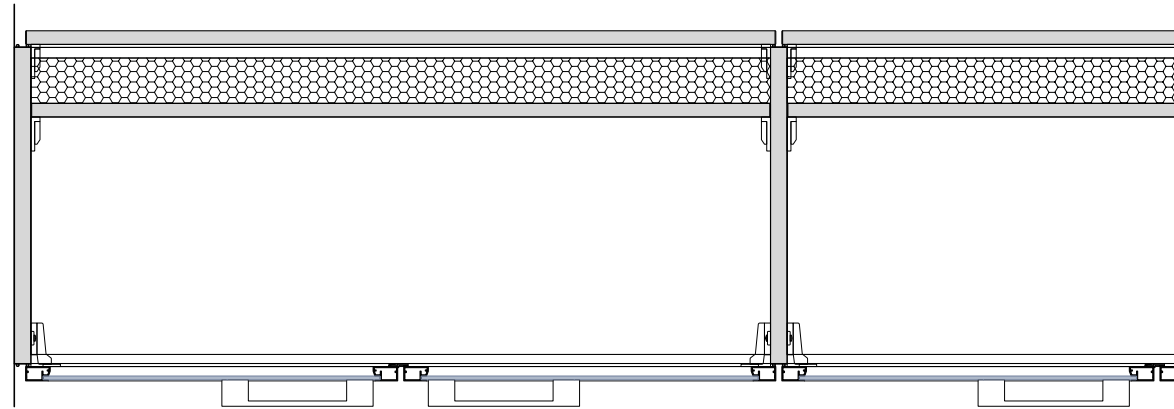
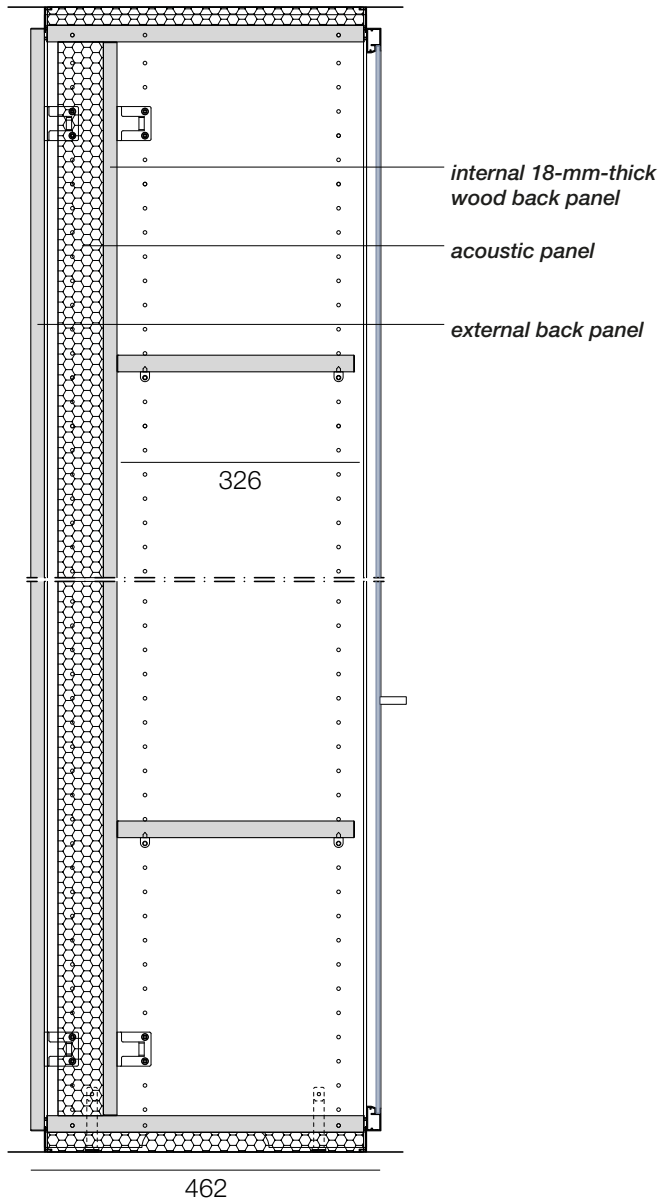
**90° corner
quadra- to- quadra**

*aluminium
corner*

*18-mm-thick
finishing panel*

*structural
upright*

Internal insulation

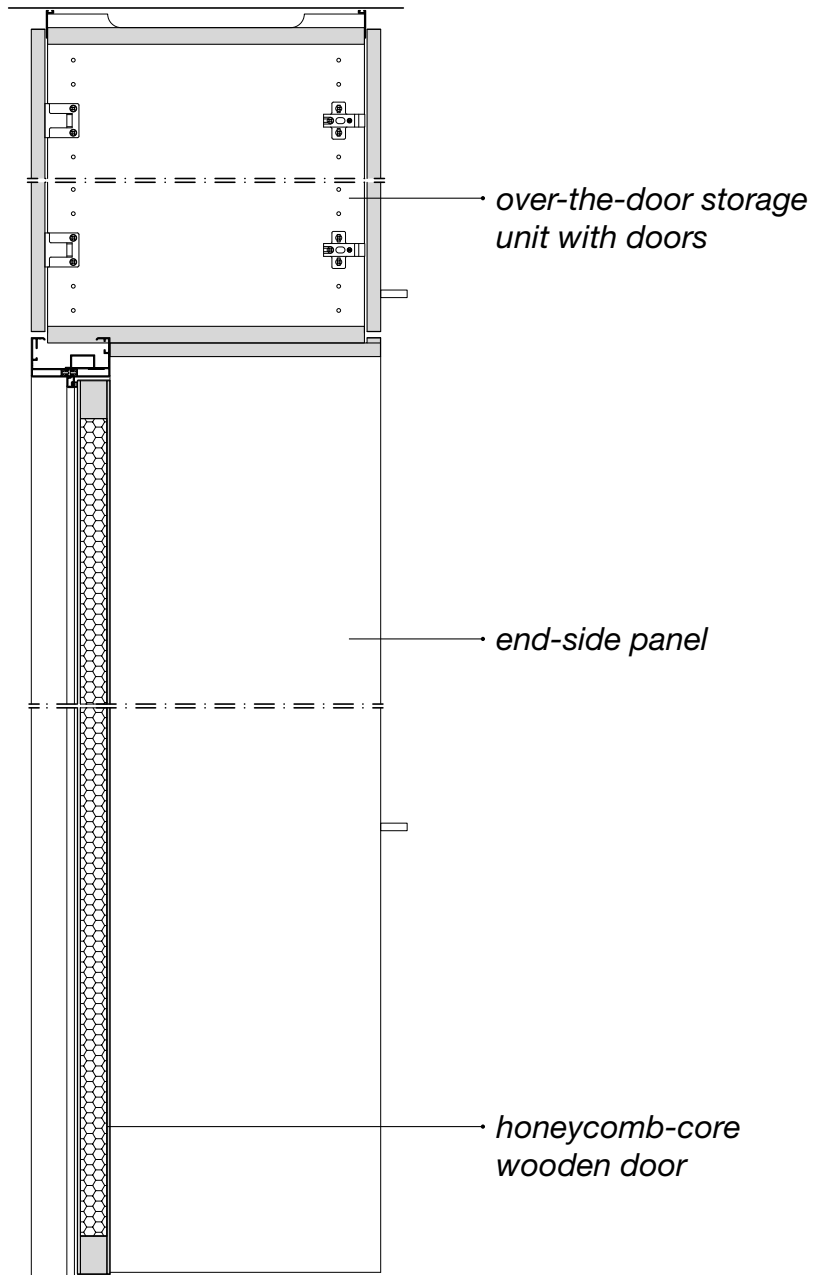


*available for 462-mm-thick units only

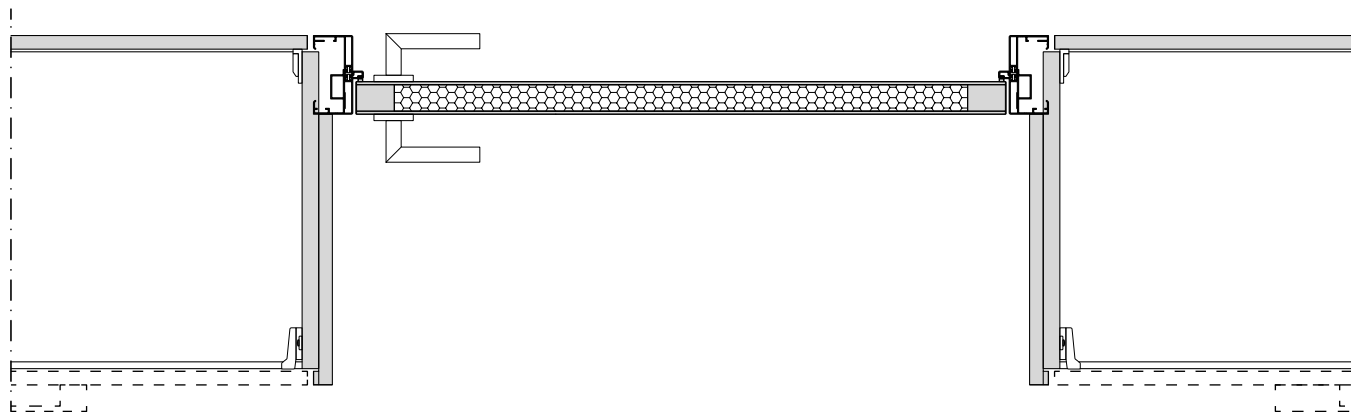
QUADRA®

Doors

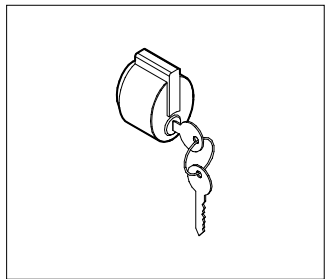
SOLID DOOR LEAF 43 mm thick



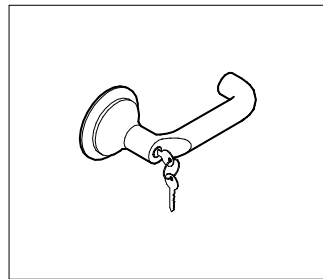
**for all Quadra partitions*



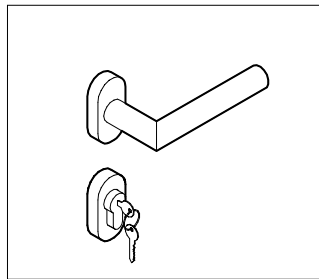
SOLID DOOR LEAF 43 mm thick



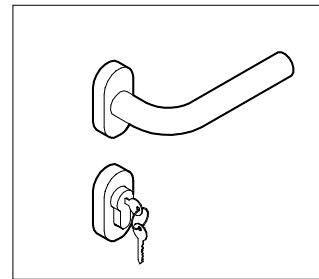
ML01



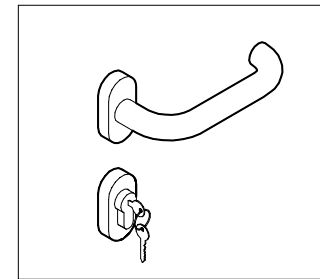
ML04



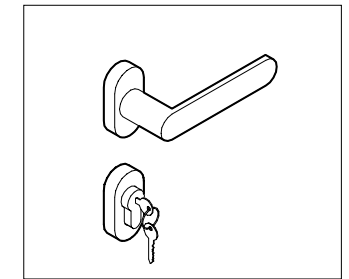
ML05



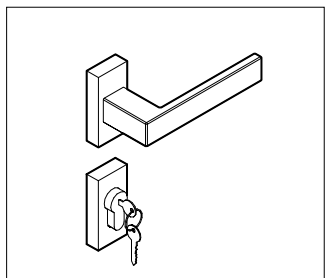
ML06



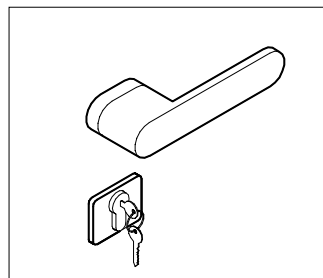
ML07



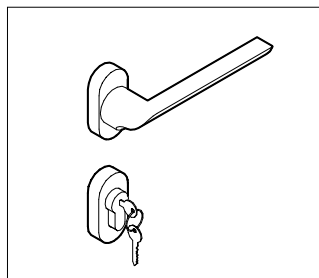
ML08



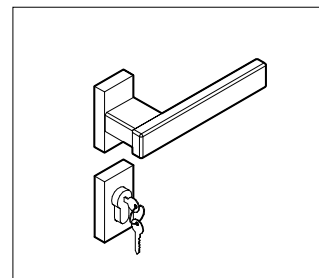
ML09



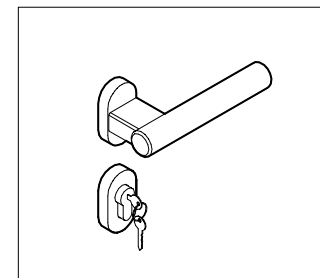
ML10



ML11

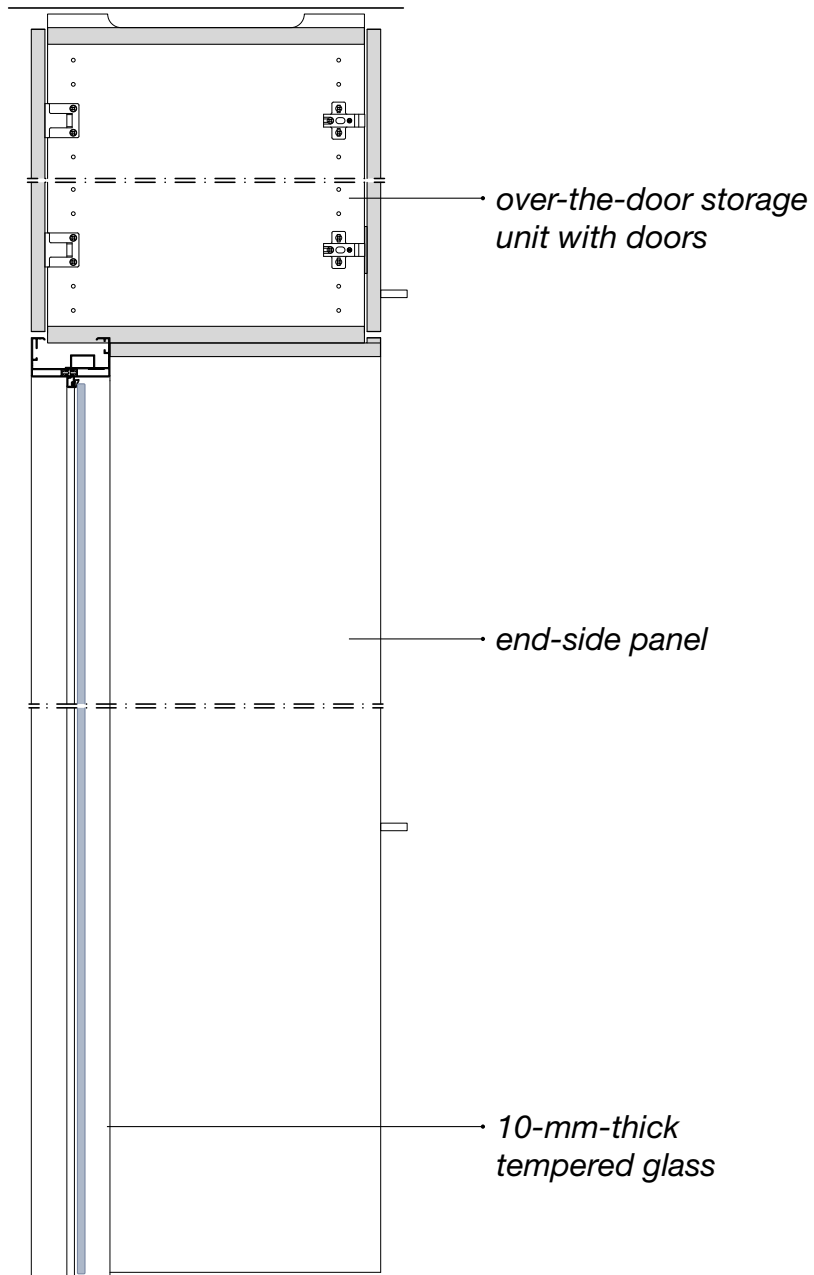


MLQ

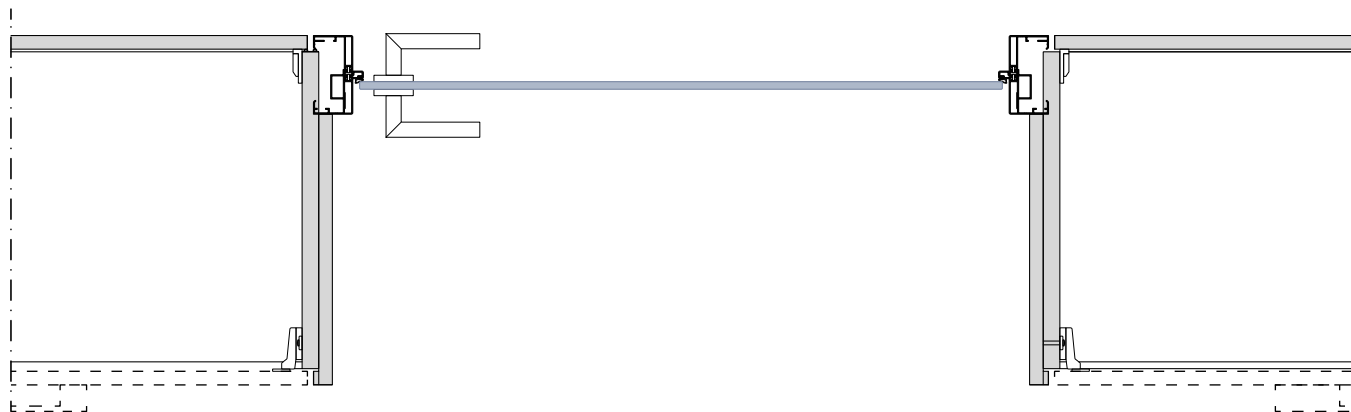


MLT

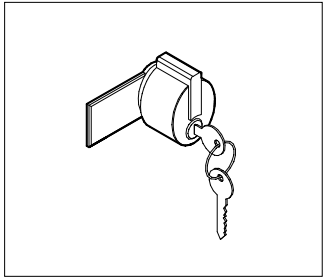
TEMPERED GLASS DOOR LEAF 10 mm thick



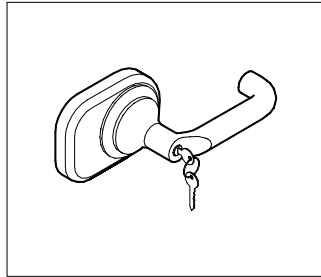
**for all Quadra partitions*



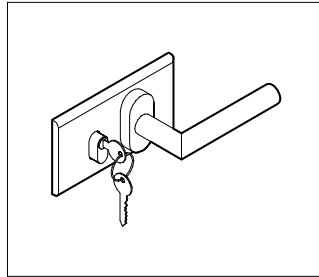
TEMPERED GLASS DOOR LEAF 10 mm thick



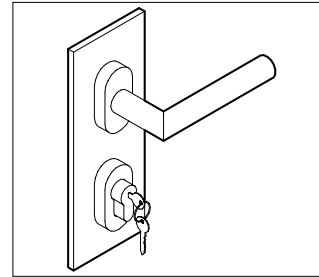
MC01



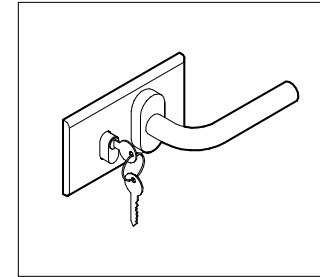
MC04



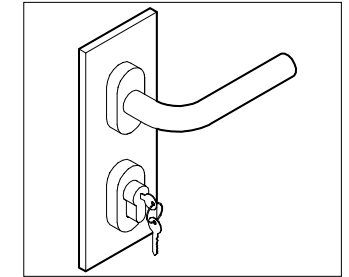
MC05



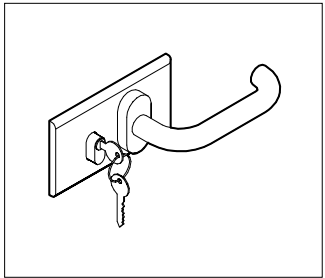
MC05V



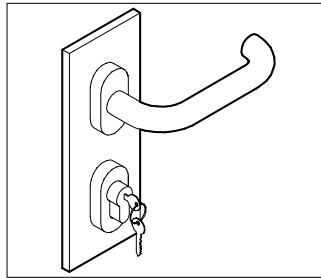
MC06



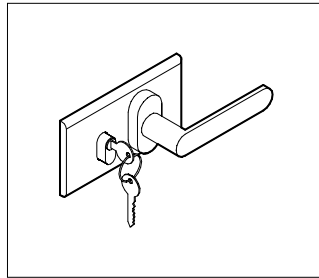
MC06V



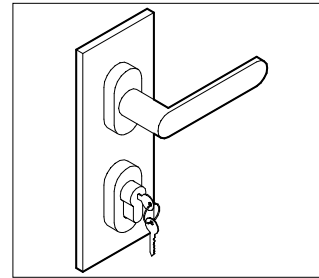
MC07



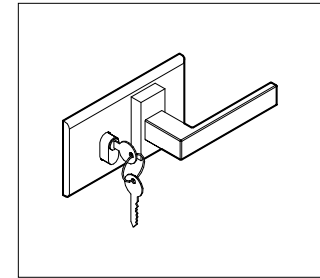
MC07V



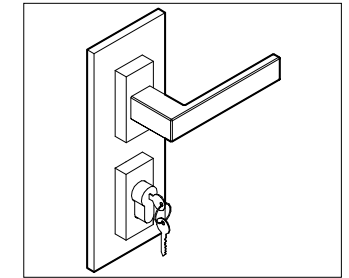
MC08



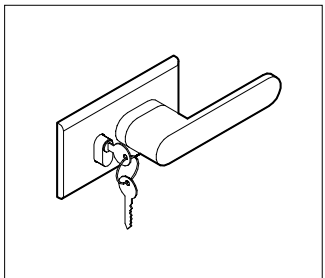
MC08V



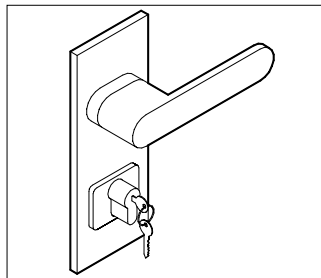
MC09



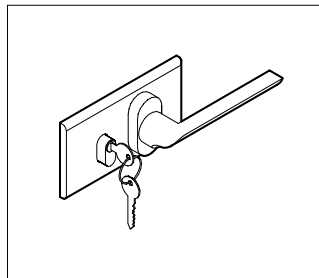
MC09V



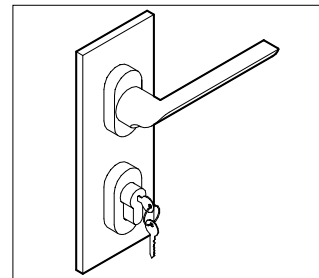
MC10



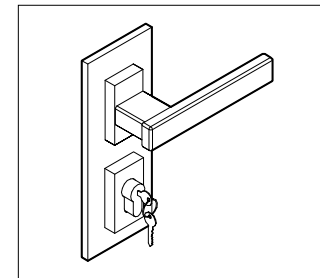
MC10V



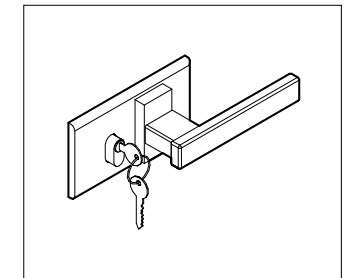
MC11



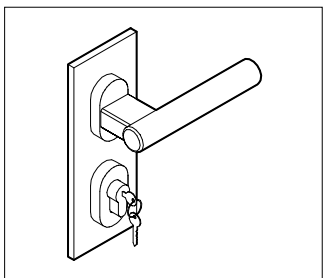
MC11V



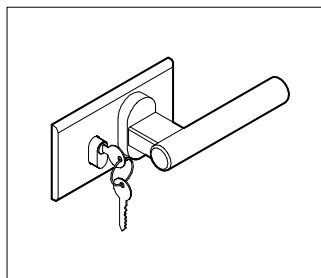
MCQ



MCQO



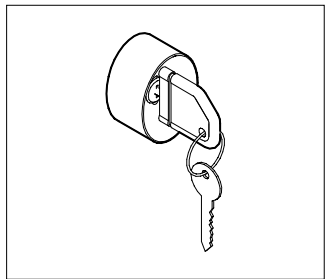
MCT



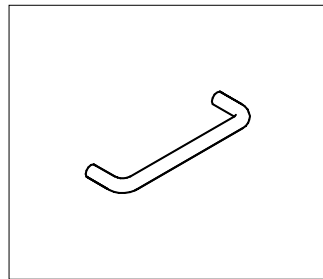
MCTO

QUADRA®

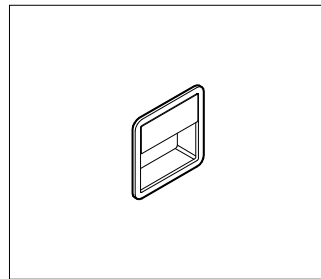
Handles



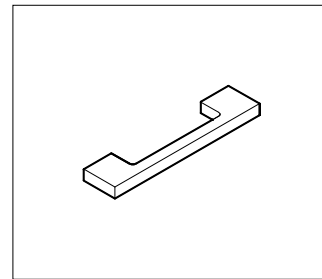
01COMMA1C



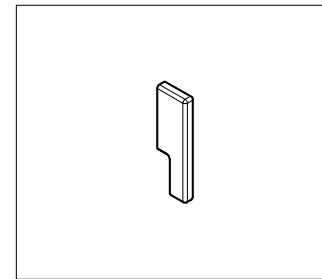
02COMMA2



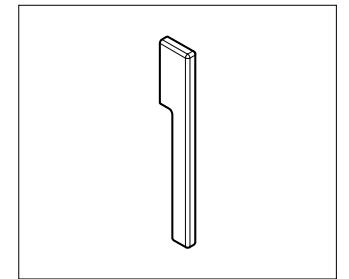
03COMMA3



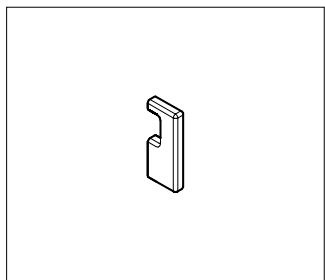
04COMMA4



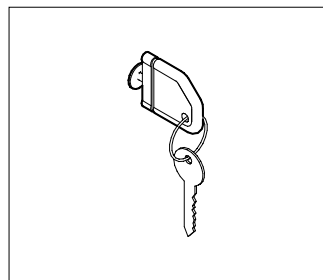
05COMMA5



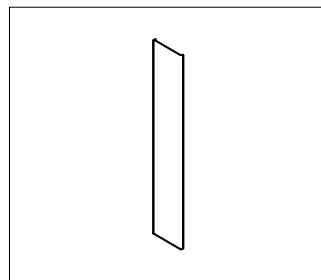
06COMMA6



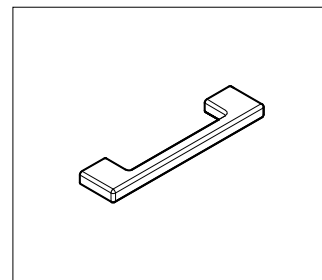
07COMMA7



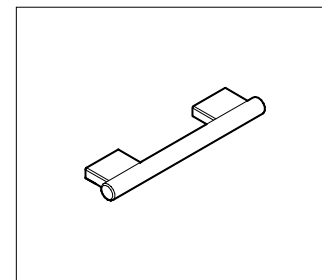
08COMMA9



09COMMA10



10COMMAQ



11COMMAT

QUADRA®

Accessories



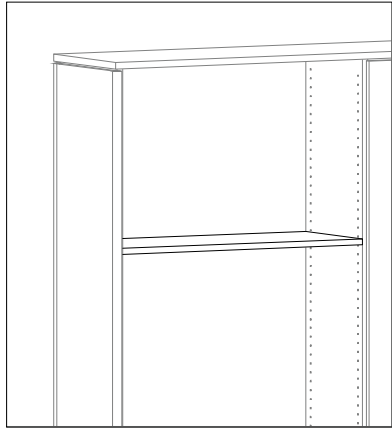
Shelves

Drawers

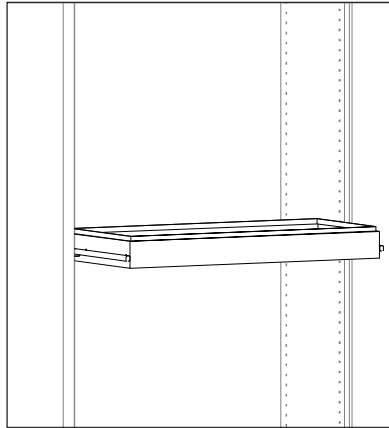
Grids

Coat hanger

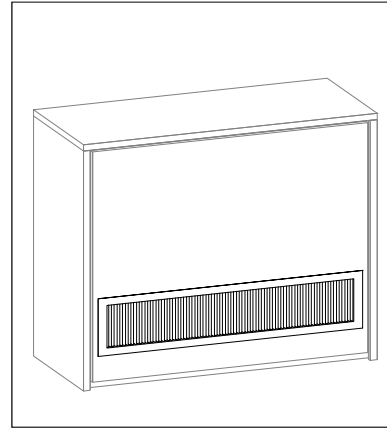
Fixing system



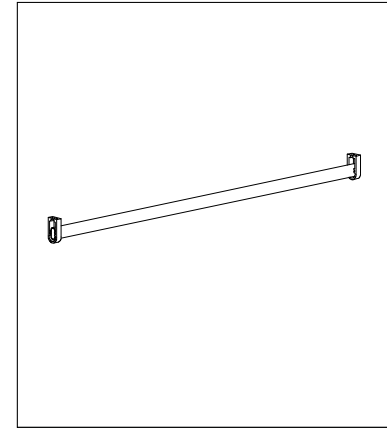
01 melamine-finished shelf
L 500/1000 mm



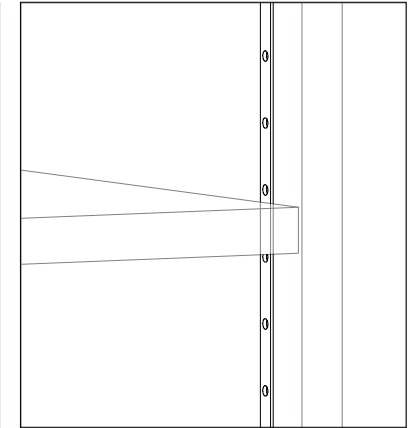
03 pull-ouit frame
L 1000 mm



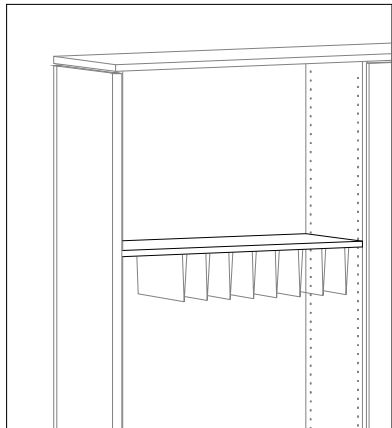
05 front grid



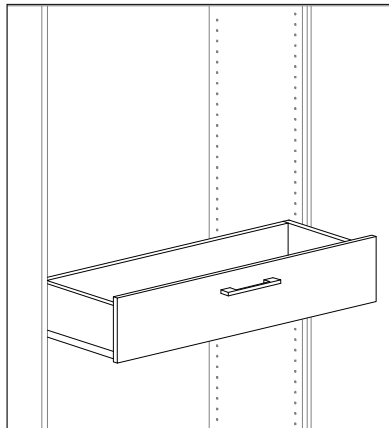
07 hanger bar
L 500/1000 mm



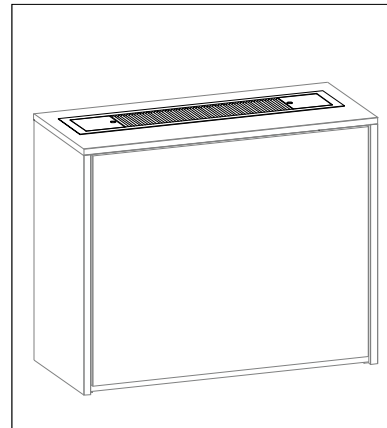
09 rack profile



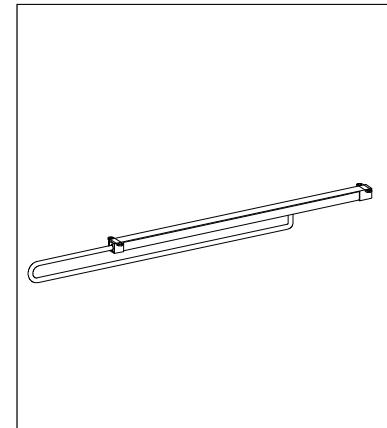
02 metal shelf
L 500/1000 mm



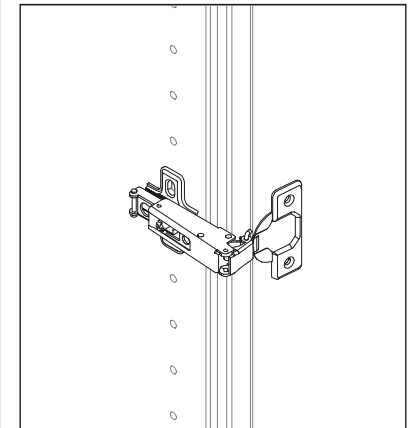
04 drawer
L 500/1000 mm



06 top grid



08 pull-out coat hanger



10 internal 180°- opening hinge

QUADRA®

Finishes

Frame



Anodised

RAL Finishes

Polish

Wood

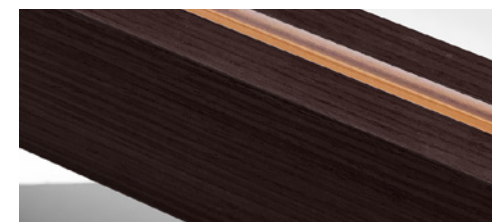
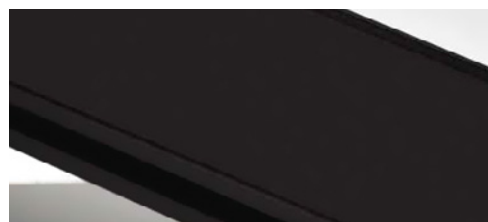


01 Natural aluminium

01 White

01 Shine

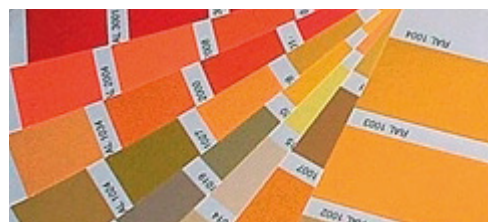
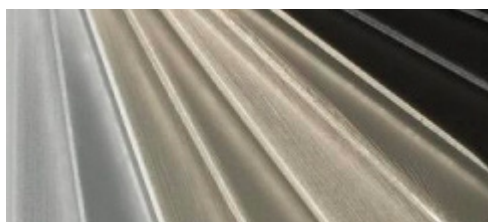
01 Light oak



02 Bronze

02 Black

02 Dark oak



03 Custom colour

03 Custom colour

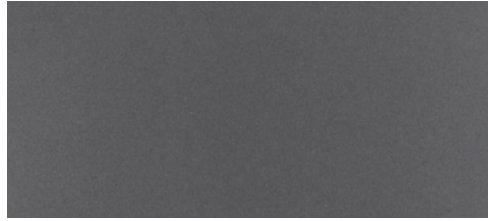
Solid panels



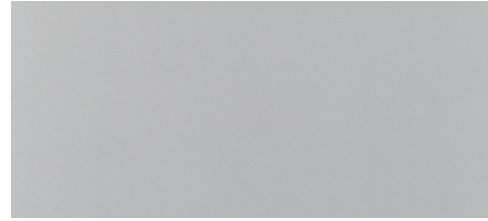
CAT. 1



055 Graphite black



420 Gunmetal



418 Ash grey



419 Light grey



393 Dove grey



417 Vanilla

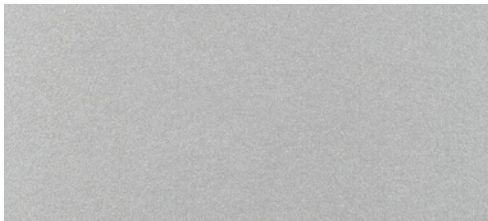


429 Warm white

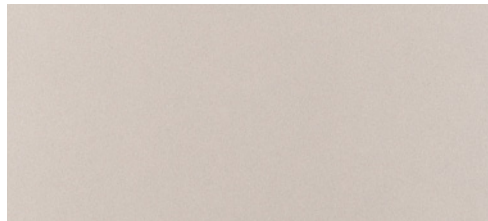


428 Cold white

CAT. 2



422 Silver

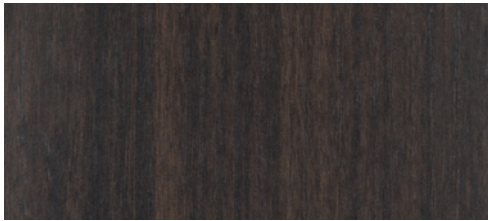


423 Champagne

Woods



CAT. 1



421 Eucaliptus



426 Mid-tone oak

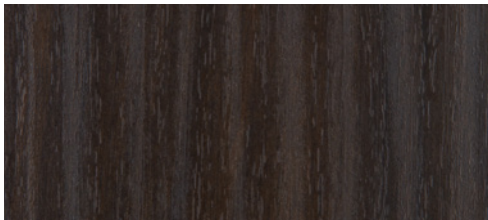


274 Acacia

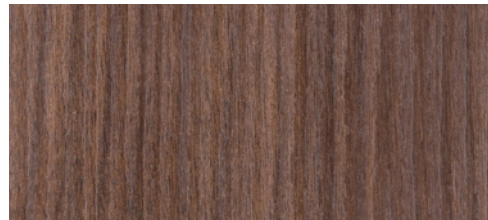


416 Streaked white

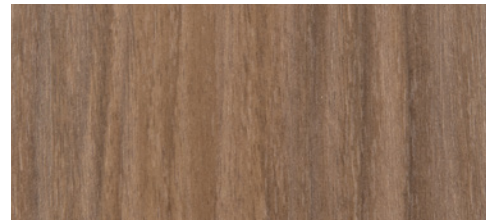
CAT. 2



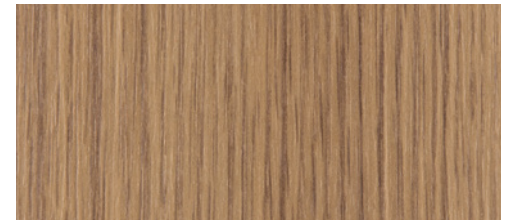
425 Dark walnut



318 Mid-tone walnut



427 Light walnut

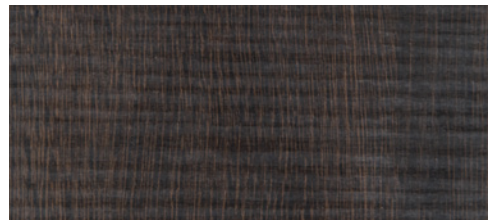


382 Natural oak

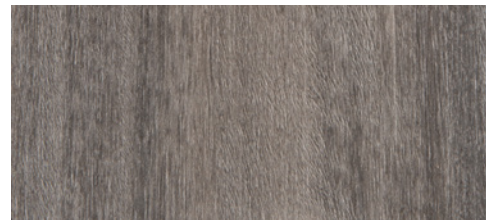
CAT. 3



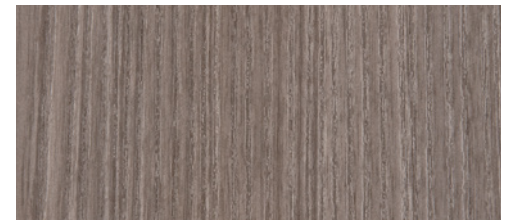
138 Aged saw-cut oak



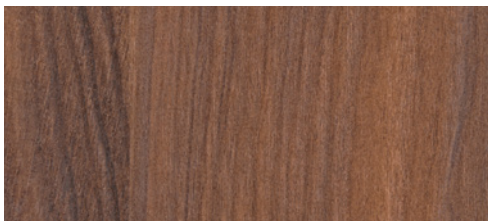
197 Saw-cut eucaliptus



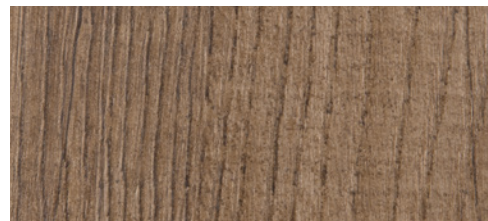
408 Grey oak



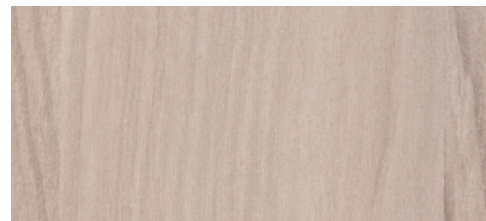
400 Danube oak



414 Red walnut



412 Vintage oak



413 Champagne oak



410 Light oak

Textures



CAT. 2



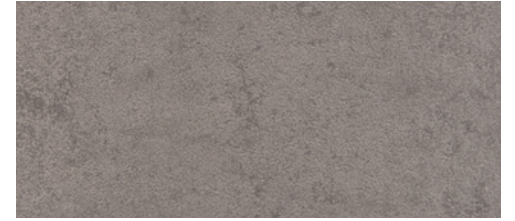
304 Dark-tone fabric



123 Mid-tone fabric



305 Light-tone fabric

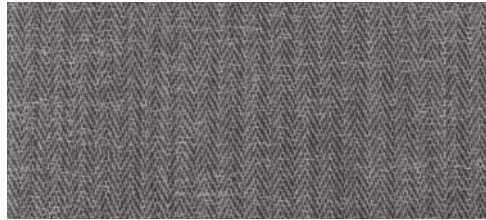


424 Oxide

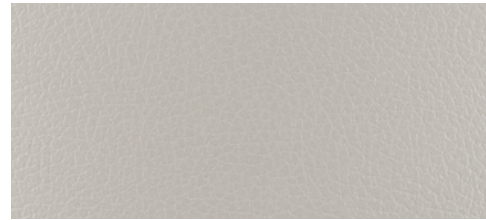
CAT. 3



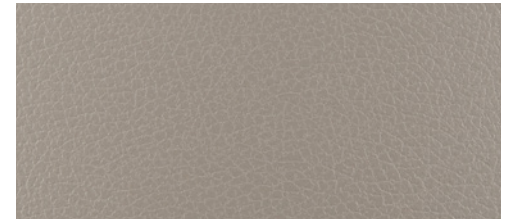
385 Bronze linen



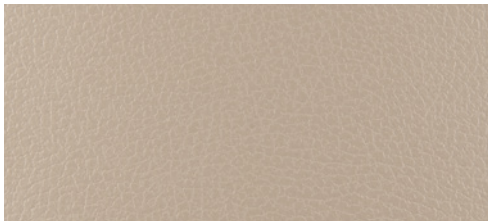
409 Bark



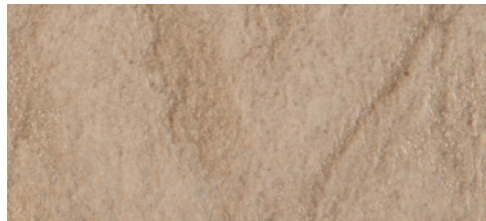
406 Primo fiore grey



405 Primo fiore dove grey



404 Primo fiore beige



415 Desert

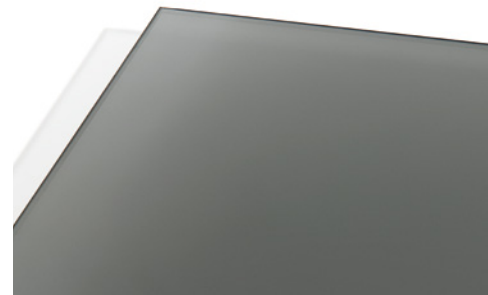
Glass



01 Clear



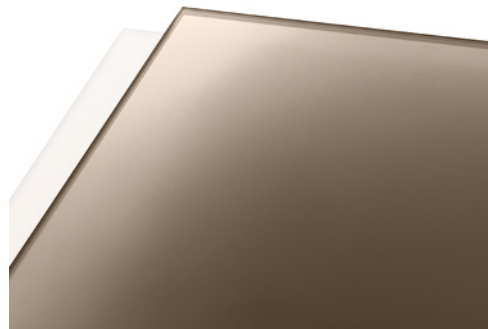
03 Satin



05 Smoked



02 Extra light



04 Bronze



06 Custom painted



Etoile s.r.l. - Società Unipersonale

Via D. Albertario, 50 61032 Zona Ind.le Bellocchi - Fano (PU) Italy

P. +39.0721.85.59.34 - F. +39.0721.85.92.14

info@etoilesrl.it - www.etoilesrl.it